

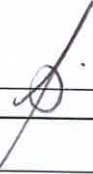


<b>Section I</b>		
SECTION NC NO:	NC NO: 100 15-22 Feb	
Details of Non-conformance:  No trends were identified from 15-22 Feb		
Immediate action:		
Classification of NC Major <input type="radio"/> Minor <input type="radio"/>  N/A	Reference no of relevant guide/Standard/requirement	Was test halted? Yes <input type="radio"/> NO <input type="radio"/> Signature/Date:
Name of reporter/Identifier: Percy Mubusu	Date: 25/02/21	Signature:
<b>Section II (Attach Supporting Evidence)</b>		
Root Cause:  CA taken was effective		
Corrective Action(s) taken: YES <input checked="" type="radio"/> NO <input type="radio"/>		
Date: 25/02/21	Sign: 	(HOS/QO)
Resumption of testing YES <input checked="" type="radio"/> NO <input type="radio"/>		
Date: 25/02/21	Sign: 	(lab director/manager)
<b>Section III (Attach Supporting Evidence)</b>		
Effectiveness Corrective Action effective: YES <input type="radio"/> NO <input type="radio"/>		
Comment:		
Quality Officer/HOS Signature:  Date: .....		

Equipment and Analyzer Action Log

Name: A4480

SIN: 2121907

Date	Problem	Action Taken	Resolved (Y/N)	Sign
19/02/21	CK - shifted Recalibrated,	CK was rerun a recalibrated. QC acceptable	Yes	Ⓟ
19/02/21	GUT (L2) > 2SD	GUT was run already and acceptable → validation purpose	Yes	Ⓟ
17/02/21	CA > 2SD (L2)	(L2) random error. IQC rerun and acceptable	Yes	Ⓟ
19/02/21	PO4 > 2SD (L1)	(L1) Random error. Reran IQC was acceptable	Yes	Ⓟ
19/02	MO > 1SD < 2SD	Random error IQC acceptable on rerun	Yes	Ⓟ
17/02 19/02	Fe > 2SD	Both were rerun with fresh QC Random errors	Yes	Ⓟ
19/02	Urea > 2SD (L1)	re-calibrated with fresh calibrator a IQC	Yes	Ⓟ
19/02	RF showing upward trend.	RF still within 2SD - However rerun and IQC acceptable	Yes	Ⓟ
19/02	LOL > 2SD (L2)	L2 was showing upward trend. Reran IQC → acceptable	Yes	Ⓟ

Equipment and Analyzer Action Log

Name: AM480

SIN: 2121907

Date	Problem	Action Taken	Resolved (Y/N)	Sign
17/02/2021	CL → (L2) > 2SD. K <sup>+</sup> , Na	Random error. reran sample aliquot QL → acceptable	Yes	Ⓟ
19/02/2021	TBIL was > 2SD on 19/02.	TBIL was run 3x for validation data Therefore patients not affected	Yes	Ⓟ
19/02/21	CO2 > 2SD 19th.	CO2 was run 3x already for validation purpose → patients not affected	Yes	Ⓟ
21/02/21	AST > 2SD 21/02.	Random error. Reran and acceptable	Yes	Ⓟ
17/02/21	TP > 2SD (L1 + L2) until 19/02.	Lab was running on low reagent. changed reagent 19/2	Yes	Ⓟ
19/02/21.	HOL > 2SD for (L2).	Random error. Reran with fresh QL → acceptable	Yes	Ⓟ
19/02/21	Amylase > 2SD for (L2)	RB cut not done. RB cut was performed and both levels passed	Yes	Ⓟ
19/02/21	Glucose > 2SD (L1)	Recalibrated Glucose and reran 1QL. Both levels correctly to mean.	Yes	Ⓟ
19/02/21	CRP - shifted all 3 levels.	Reran with fresh QL material. And QL correct	Yes	Ⓟ
19/02/21	RF - shifted all levels	↗ refer to CRP use same QL material	Yes	Ⓟ

Week 3 Feb 2021

Device No. 2121907

Page. 56

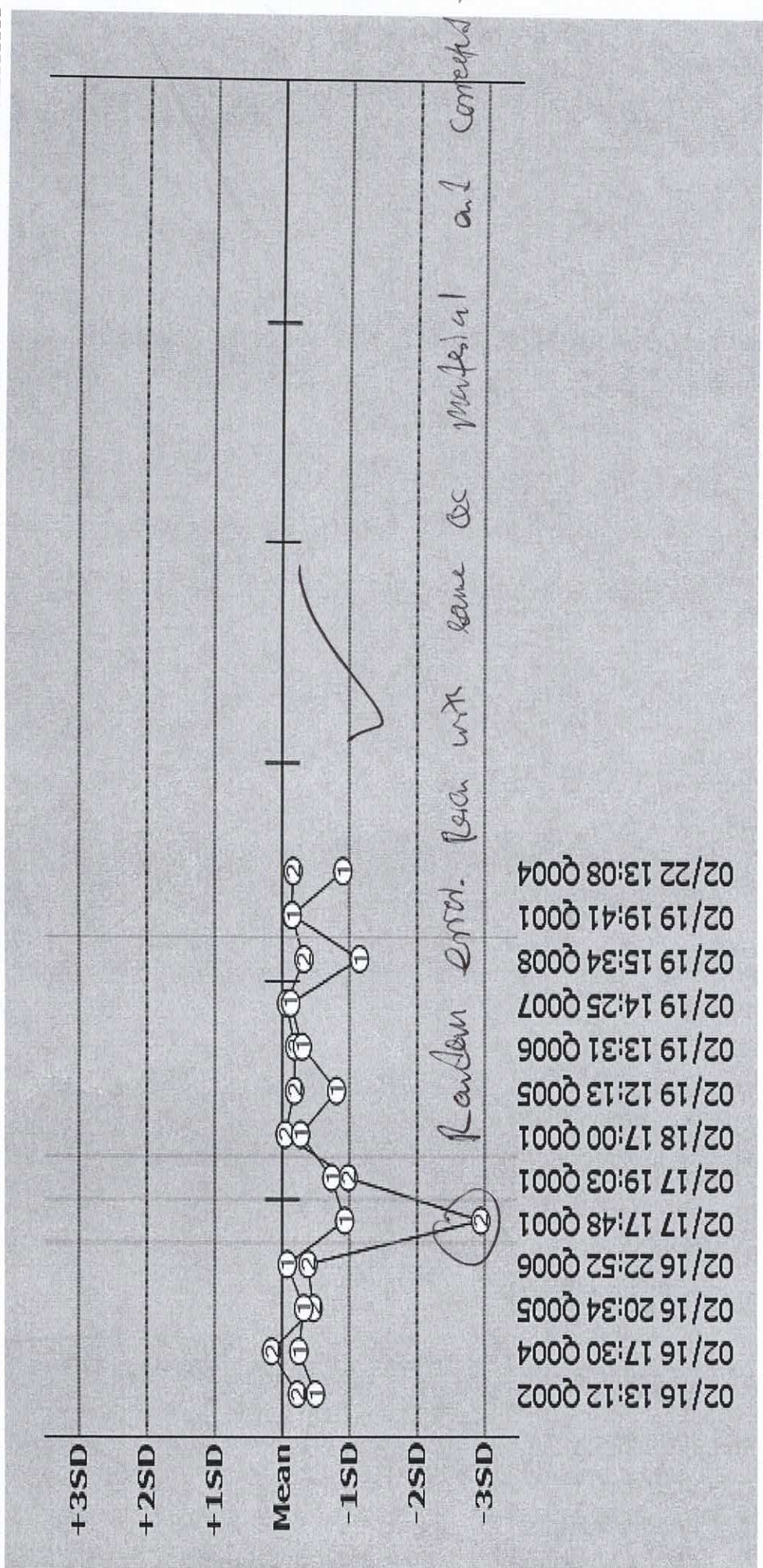
QC Monitor - Daily Chart

Print Time [02/25/2021 14:48]

Index 02/15/2021 16:23 - 02/22/2021 21:38

Type Serum

99.C1  
Graph



25/02/21

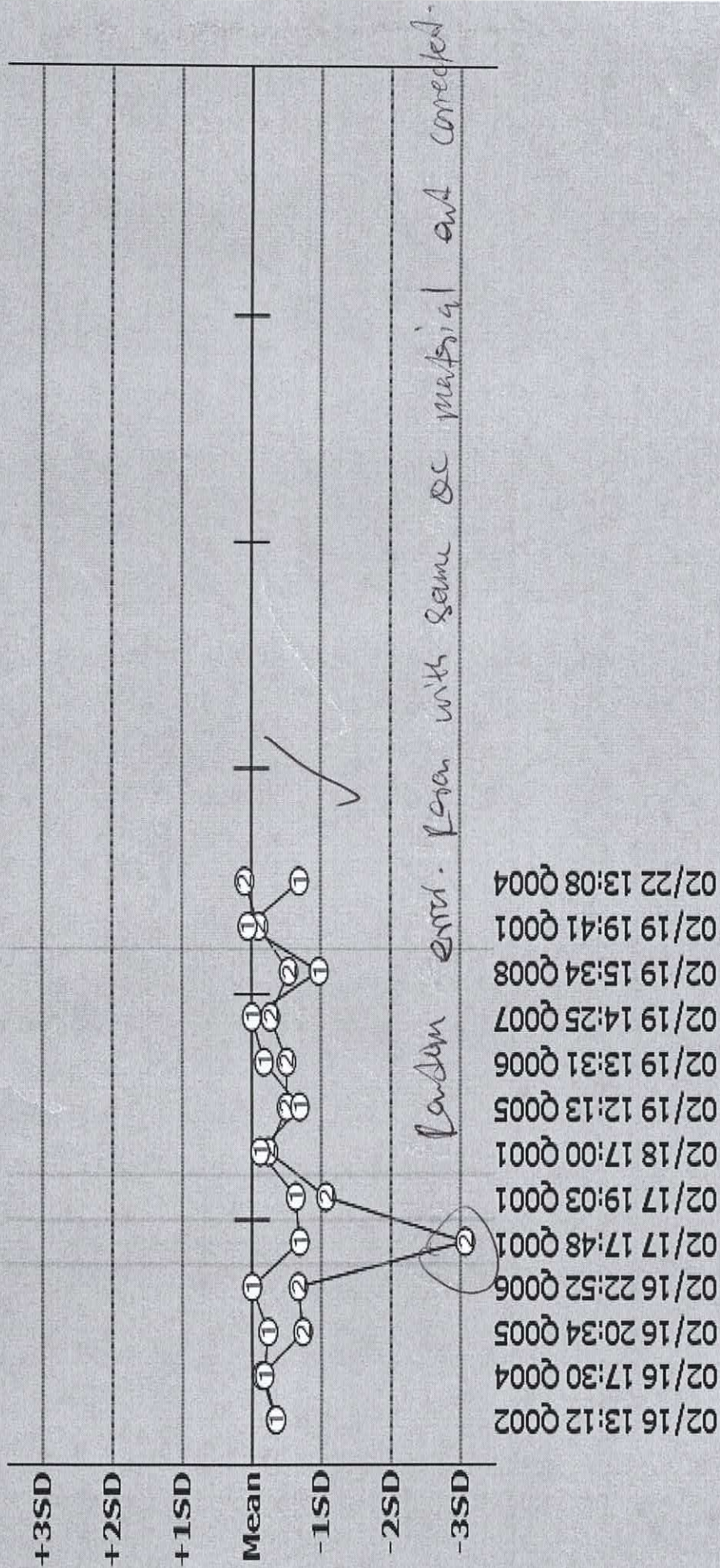
QC Monitor - Daily Chart

Print Time [02/25/2021 14:48]

Index 02/15/2021 16:23 - 02/22/2021 21:38

Type Serum

98.K  
Graph



Random error. Reason with same QC material not corrected.

as/oa/21 W

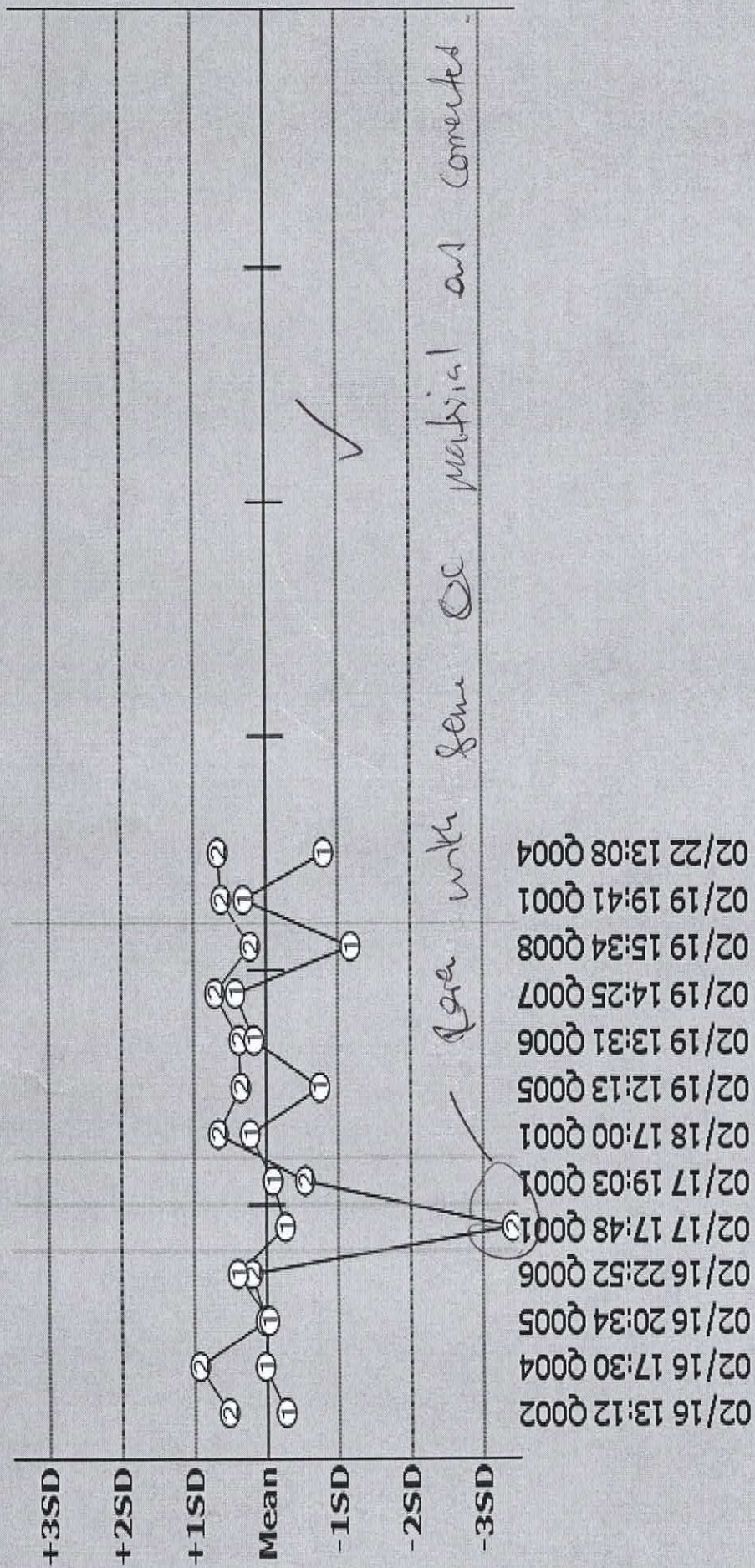
QC Monitor - Daily Chart

Print Time [02/25/2021 14:48]

Index 02/15/2021 16:23 - 02/22/2021 21:38

Type Serum

97.Na  
Graph



Here with few of multiple are corrected ✓

28/02/21

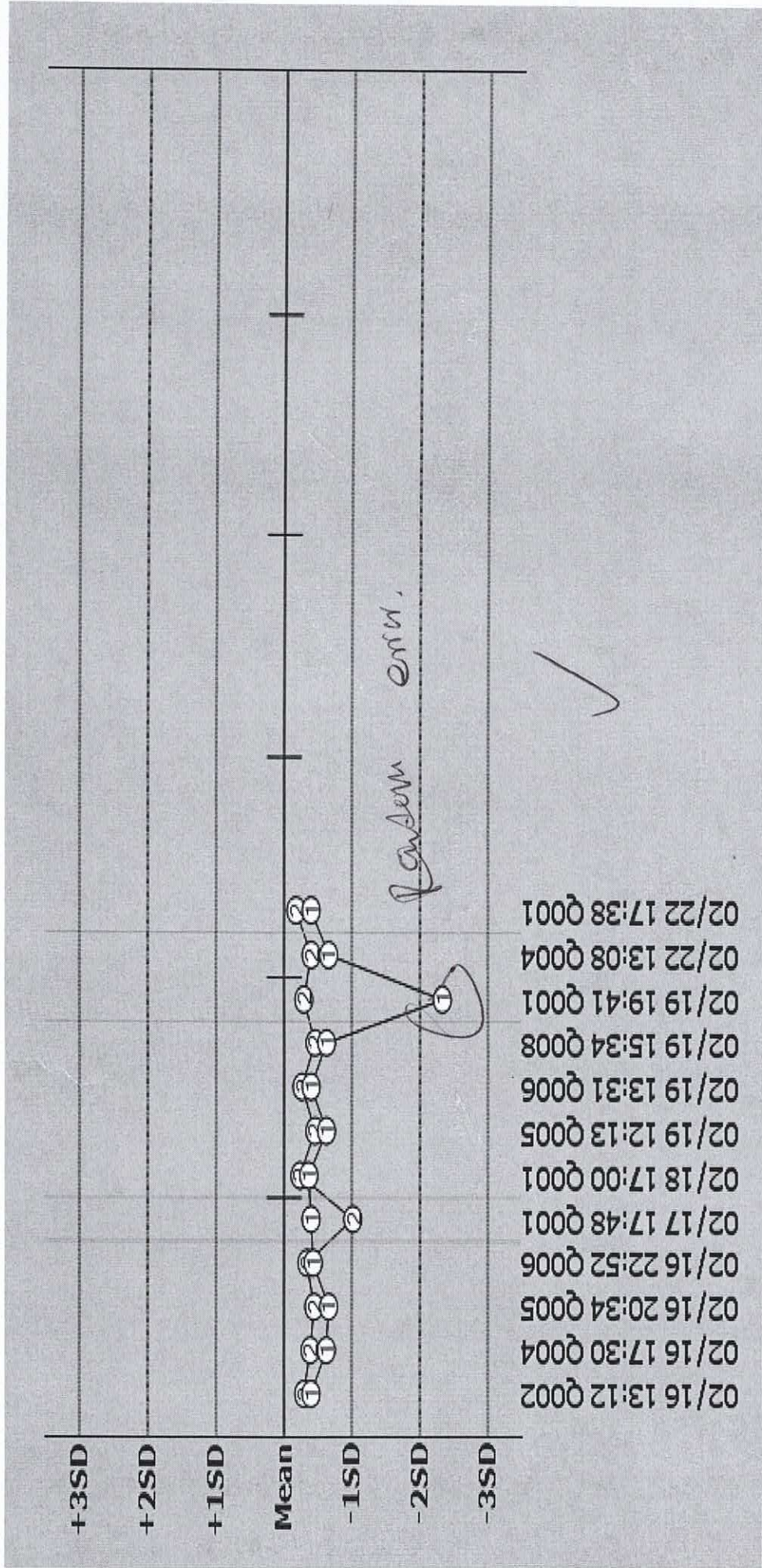
QC Monitor - Daily Chart

Print Time [02/25/2021 14:48]

Index 02/15/2021 16:23 - 02/22/2021 21:38

Type Serum

73.TBILPC  
Graph



25/02/21 14:48

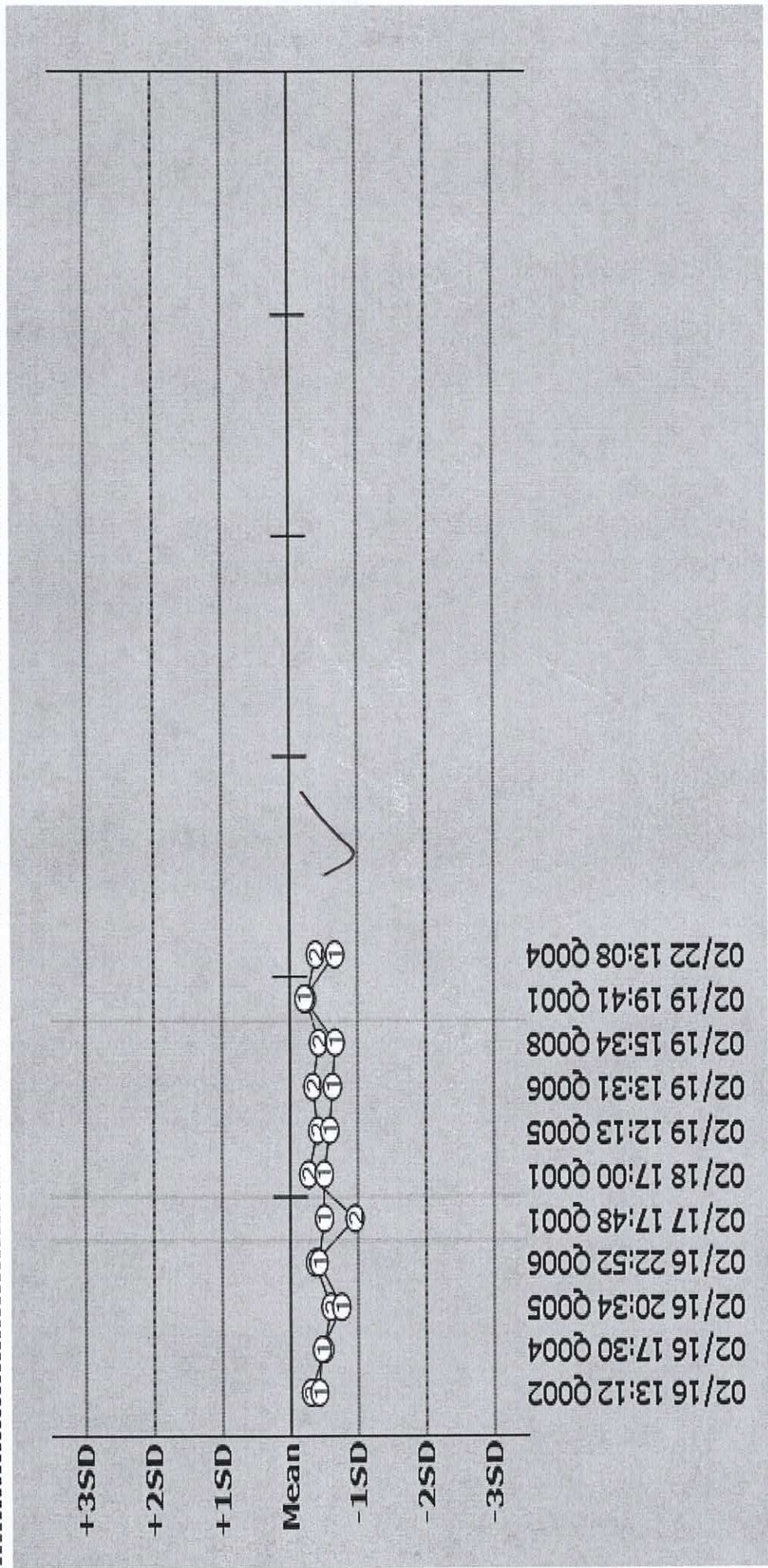
QC Monitor - Daily Chart

Print Time [02/25/2021 14:48]

Index 02/15/2021 16:23 - 02/22/2021 21:38

Type Serum

71.DBILPC  
Graph



25/02/21 Wp

Device No. 2121907

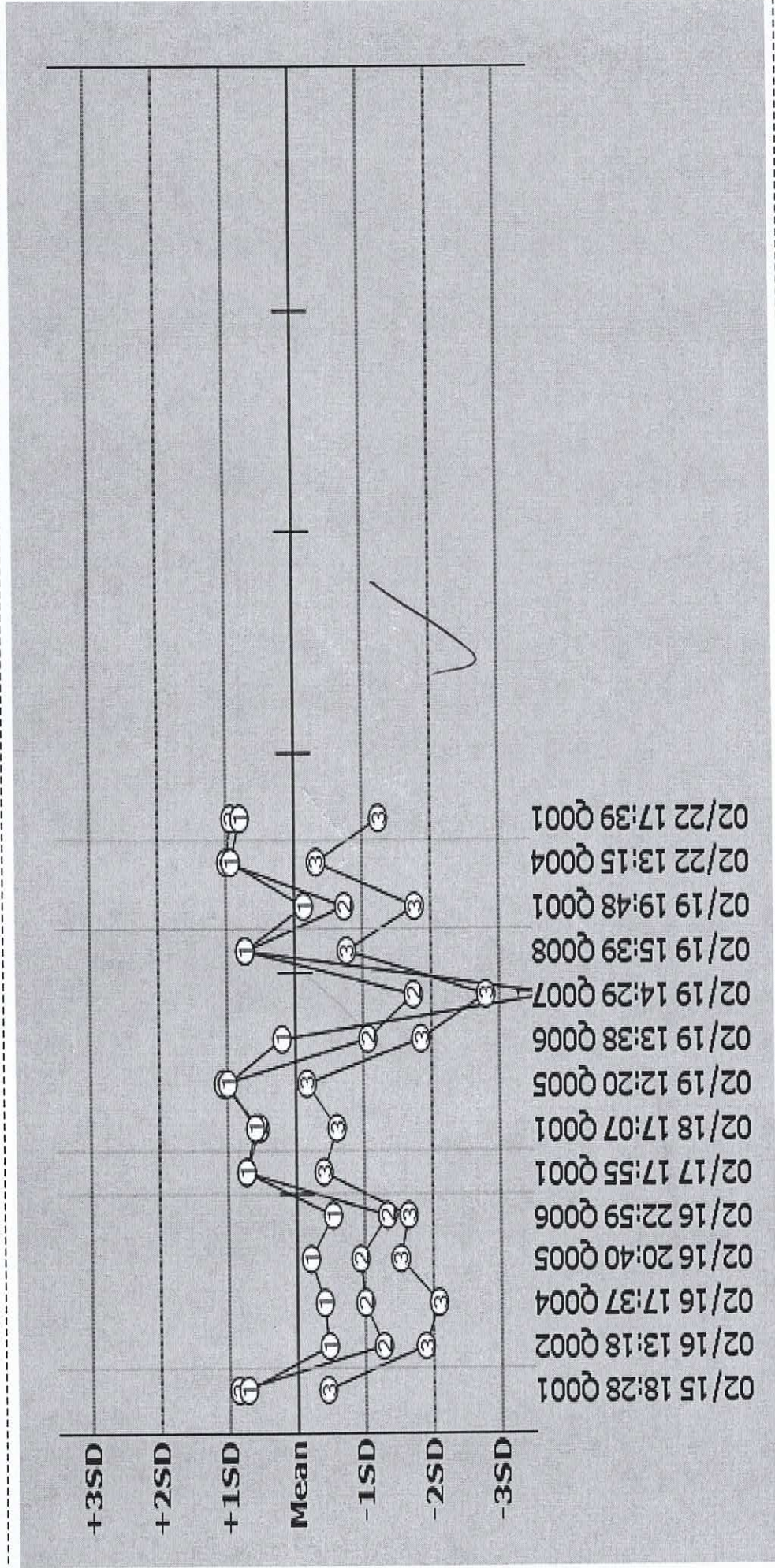
QC Monitor - Daily Chart

Print Time [02/25/2021 14:48]

Type Serum

Index 02/15/2021 16:23 - 02/22/2021 21:38

38.CO2  
Graph



19/02/21 level 3 > 2SD. Calibrator left-standing for too long but CO2 was recalibrated with fresh calibrator and all levels were acceptable 25/02/21

Device No.2121907

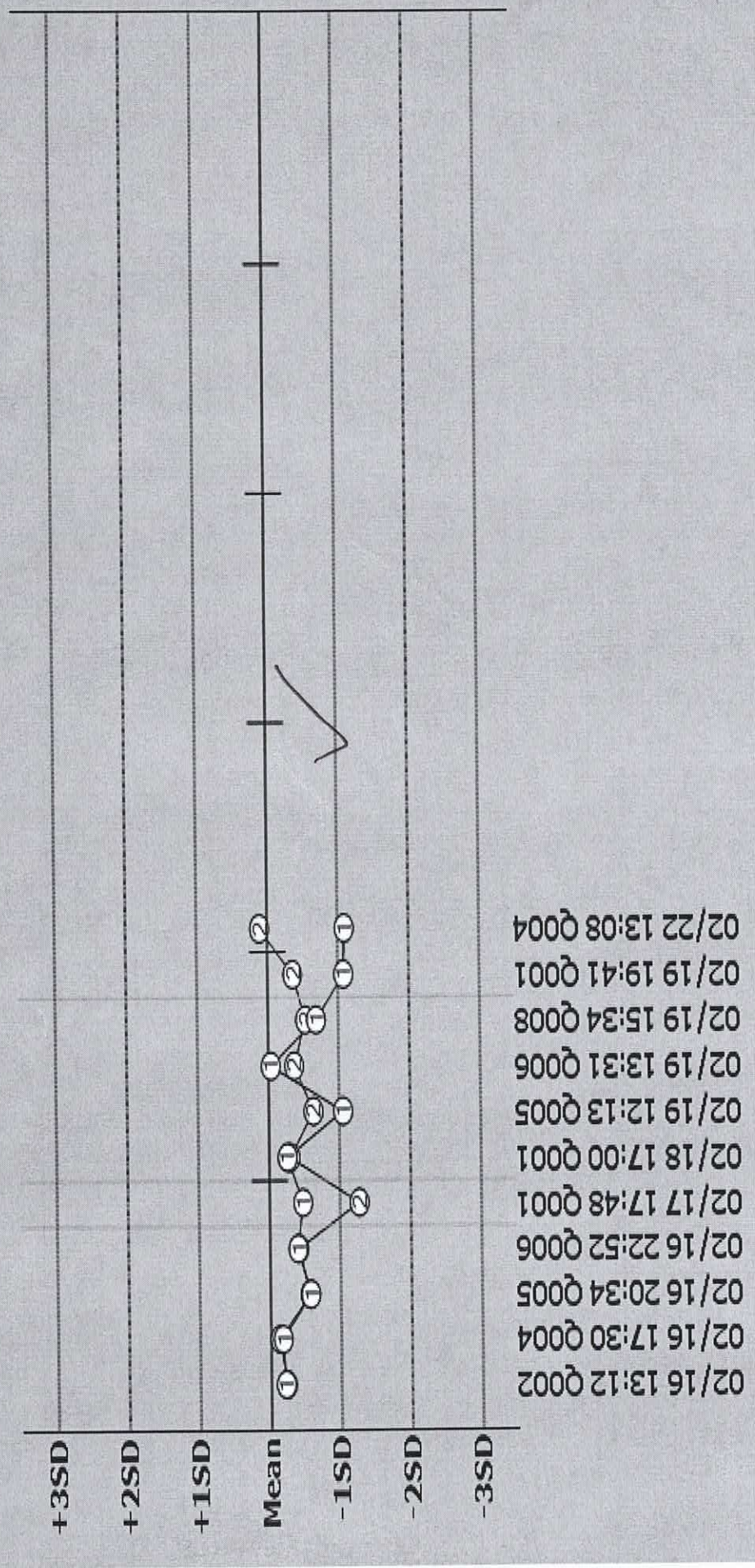
Print Time [02/25/2021 14:48]

QC Monitor - Daily Chart

Index 02/15/2021 16:23 - 02/22/2021 21:38

Type Serum

36.CRE-E  
Graph



25/02/21 14

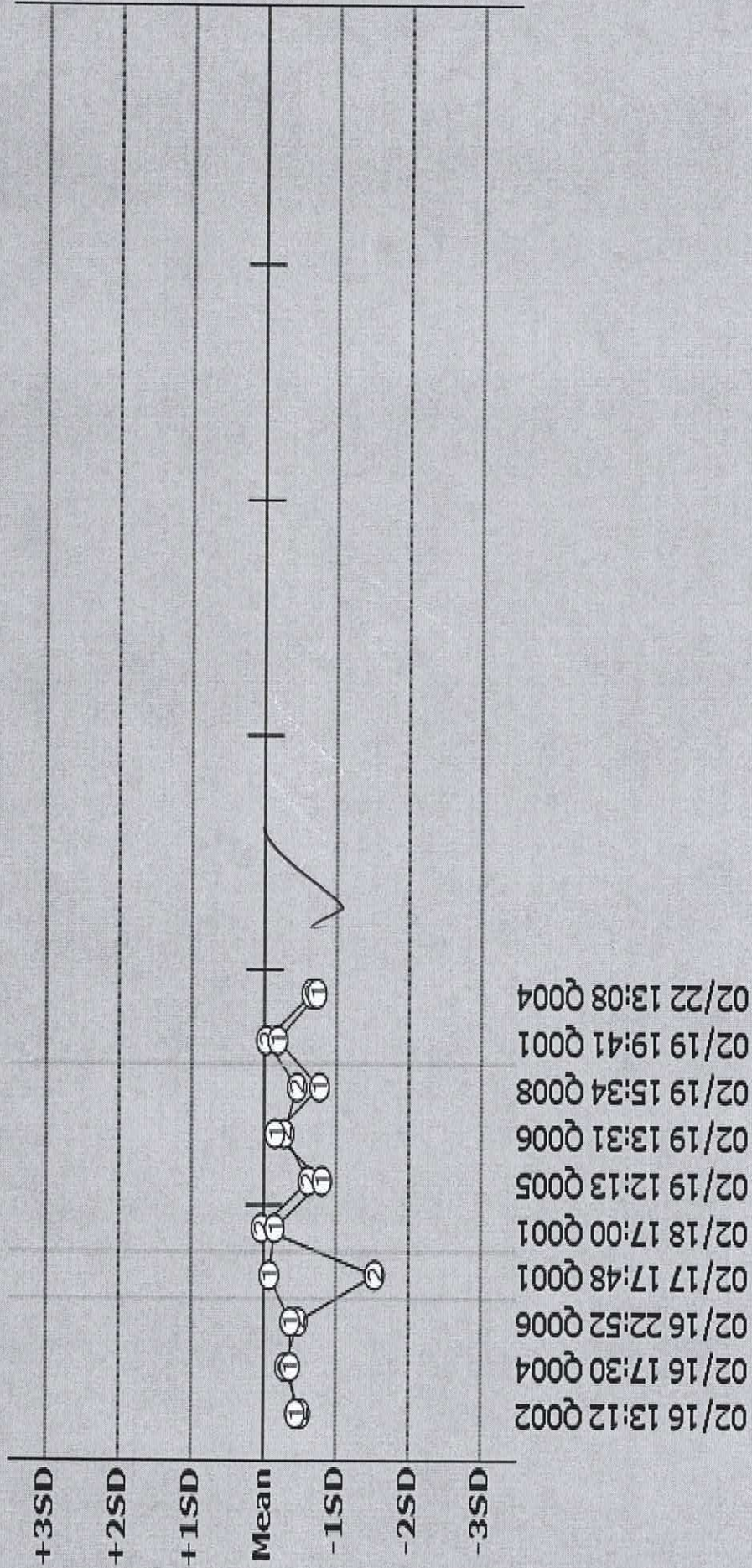
QC Monitor - Daily Chart

Print Time [02/25/2021 14:48]

Index 02/15/2021 16:23 - 02/22/2021 21:38

Type Serum

35.CHOL  
Graph



25/02/21  
WA

Device No. 2121907

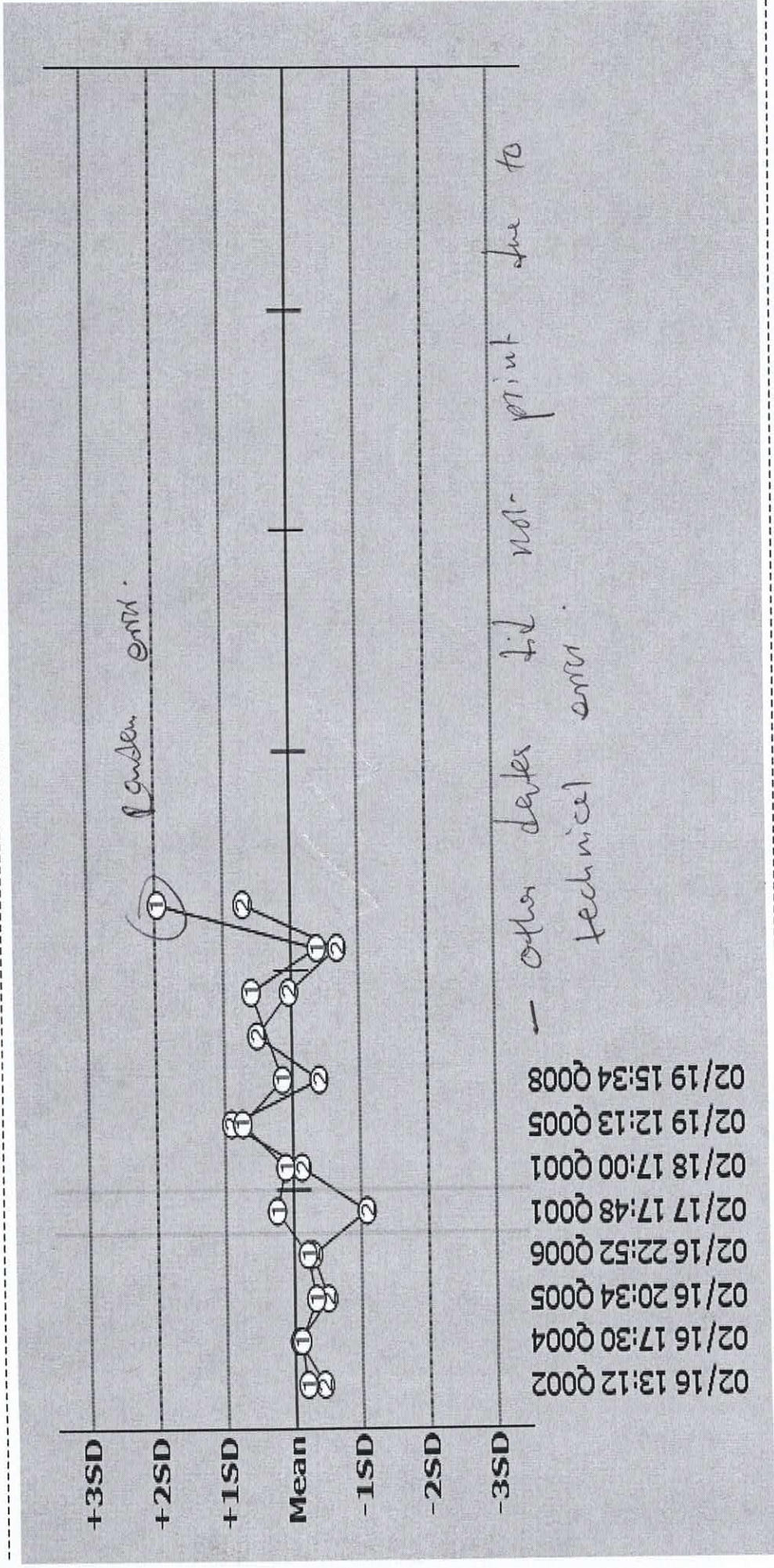
Print Time [02/25/2021 14:48]

QC Monitor - Daily Chart

Type Serum

Index 02/15/2021 16:23 - 02/22/2021 21:38

34.AST  
Graph



25/02/21 W

Device No. 2121907

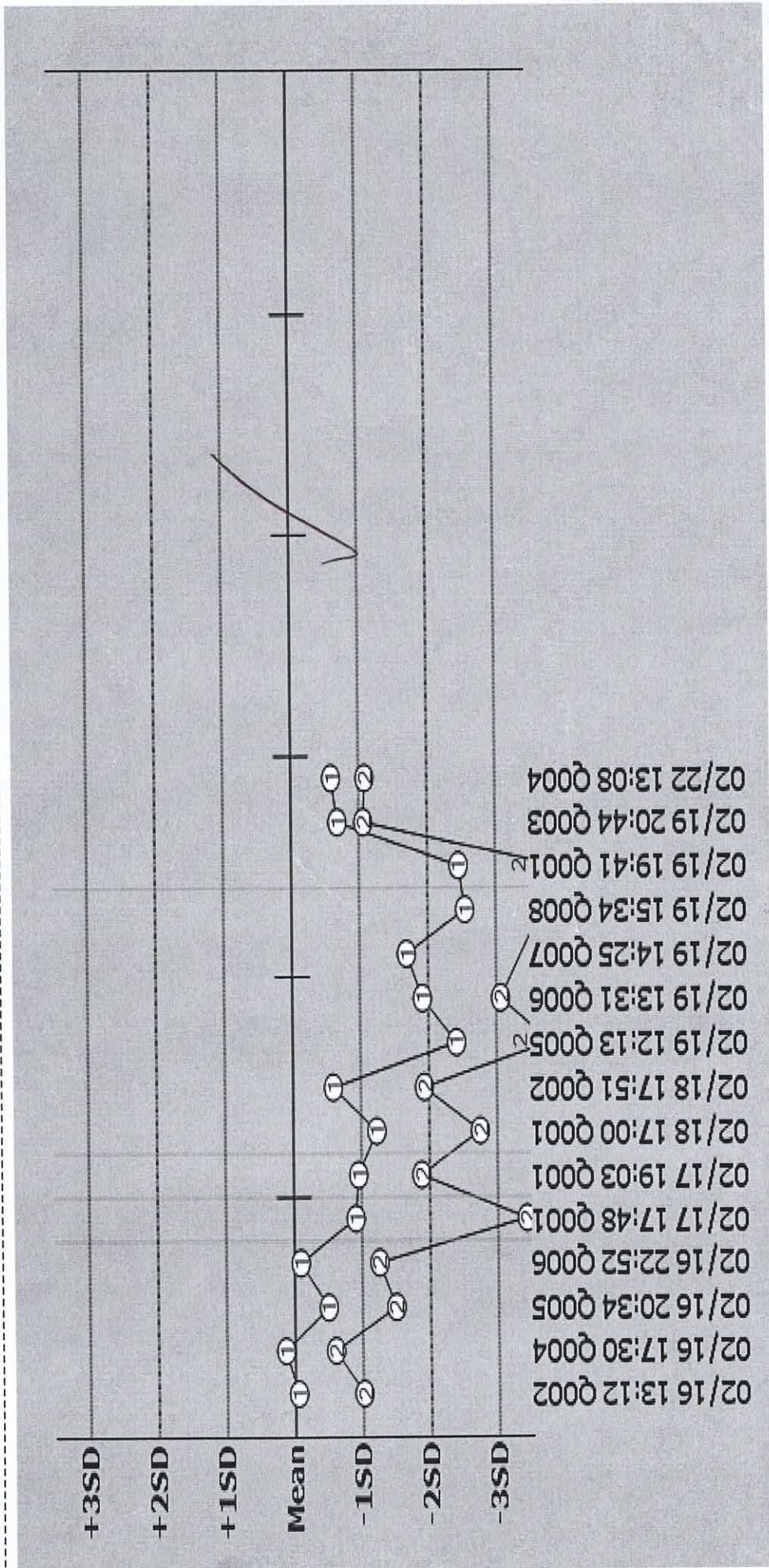
QC Monitor - Daily Chart

Print Time [02/25/2021 14:48]

Type Serum

Index 02/15/2021 16:23 - 02/22/2021 21:38

33.TP  
Graph



QC outside 2SD on the 17 & 19 - few tests were left and the reagent was replaced on the 19 and calibrated. Both levels corrected to 1SD. 25/02/21 W

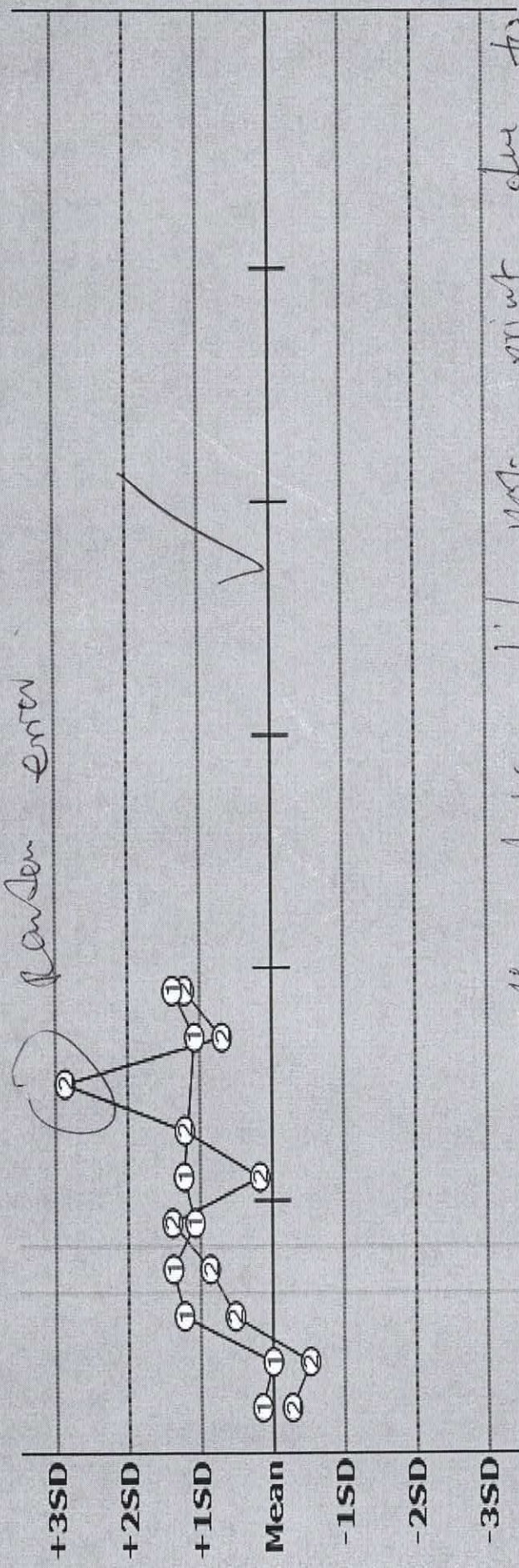
QC Monitor - Daily Chart

Print Time [02/25/2021 14:48]

Index 02/15/2021 16:23 - 02/22/2021 21:38

Type Serum

27.HDL  
Graph



— other dates did not print due to technical error. overall QC performance is acceptable.

25/02/21 hp

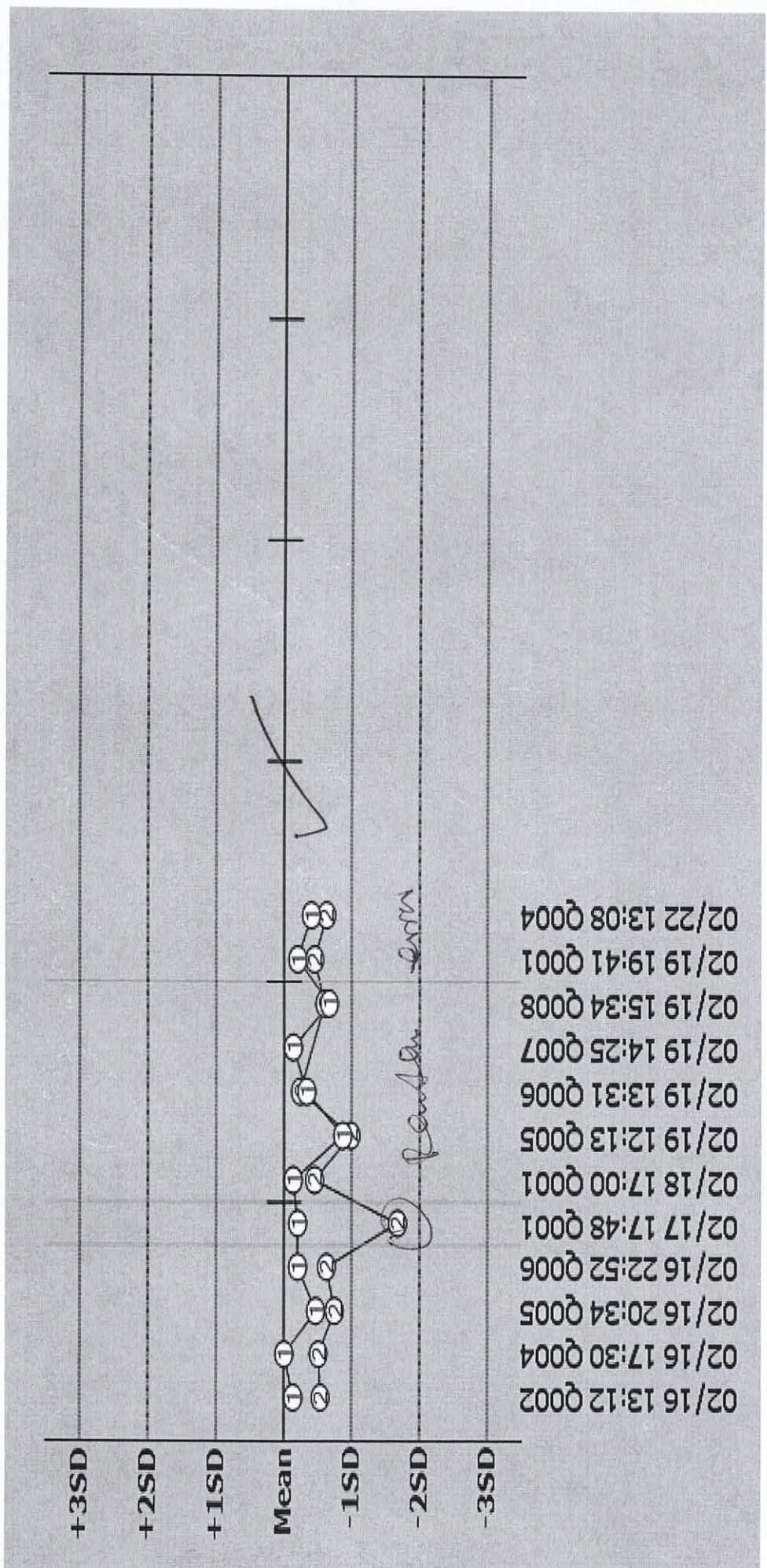
QC Monitor - Daily Chart

Print Time [02/25/2021 14:48]

Index 02/15/2021 16:23 - 02/22/2021 21:38

Type Serum

26. TRIG Graph



25/02/21 W

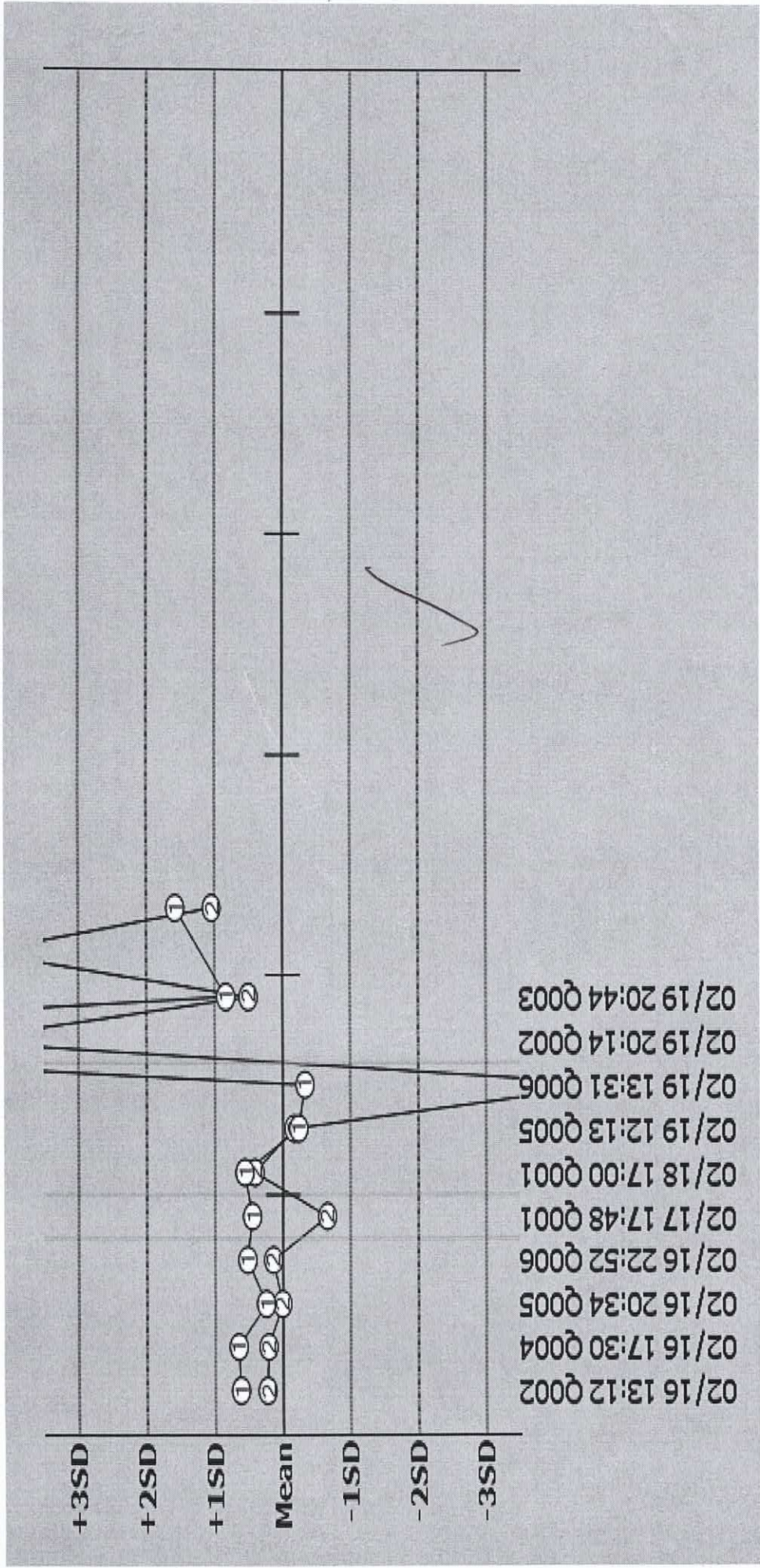
QC Monitor - Daily Chart

Print Time [02/25/2021 14:48]

Index 02/15/2021 16:23 - 02/22/2021 21:38

Type Serum

24.AMY  
Graph



Shift noted on the 19<sup>th</sup> due to RB cal not done. RB cal was performed  
 afterward and both levels were acceptable. NO patients done. 25/02/21 W

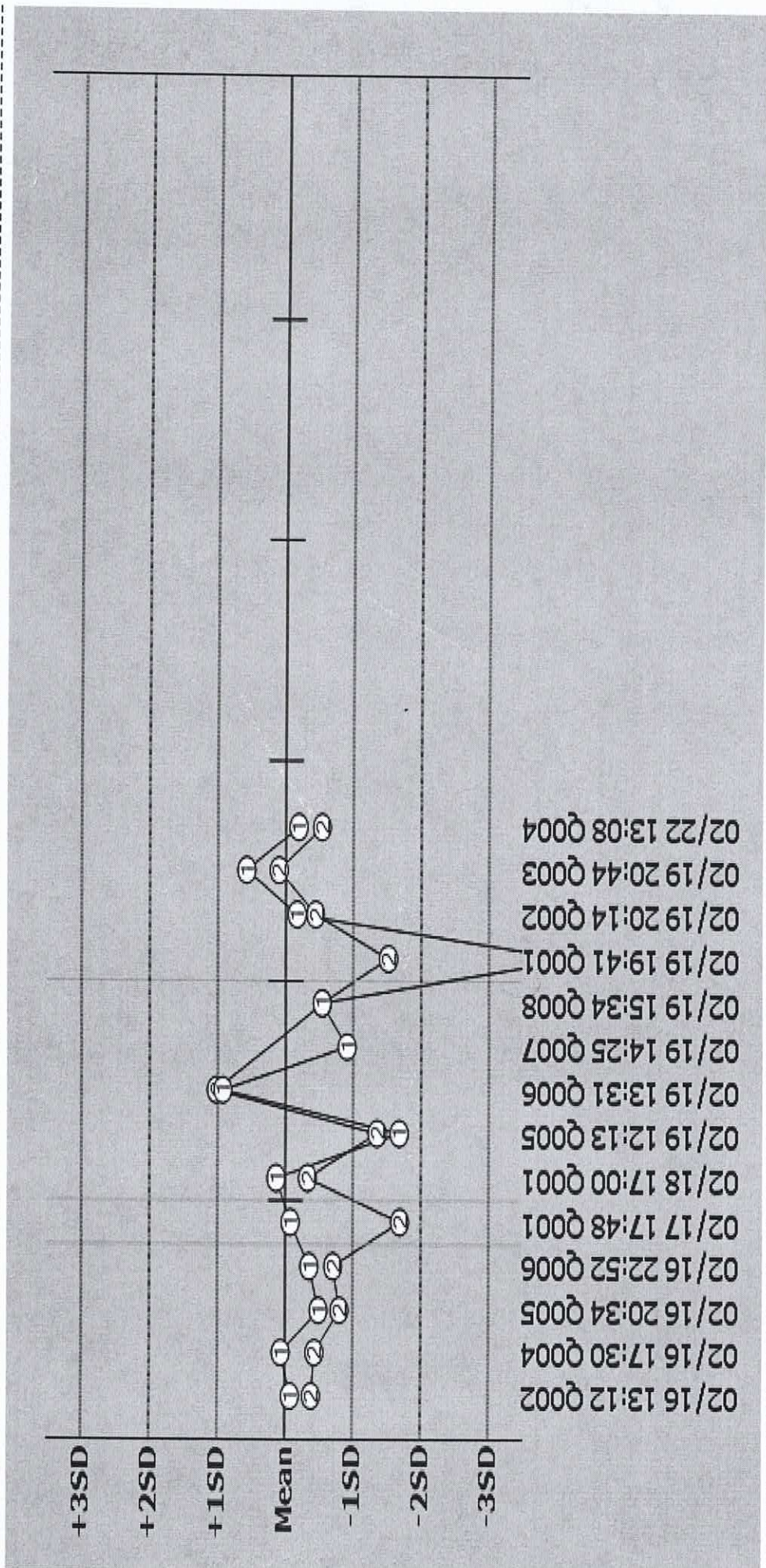
QC Monitor - Daily Chart

Print Time [02/25/2021 14:48]

Index 02/15/2021 16:23 - 02/22/2021 21:38

Type Serum

23.GLUC  
Graph



19/02/21 shift - 7 USD noted. Recalibration was done and test result with fresh QC. Both levels corrected to the mean.

25/02/21

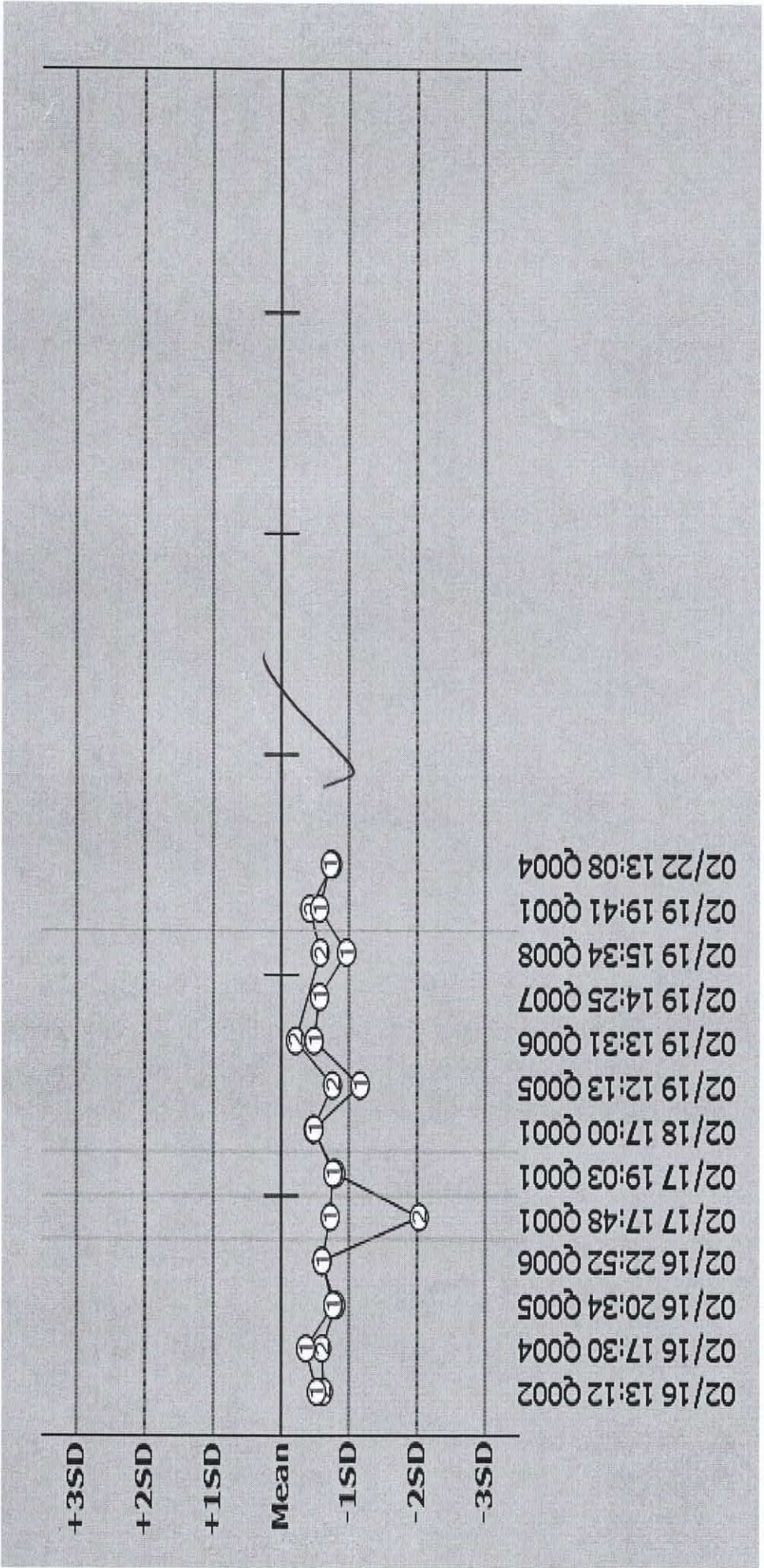
QC Monitor - Daily Chart

Print Time [02/25/2021 14:48]

Index 02/15/2021 16:23 - 02/22/2021 21:38

Type Serum

22.UA  
Graph



25/02/21 W

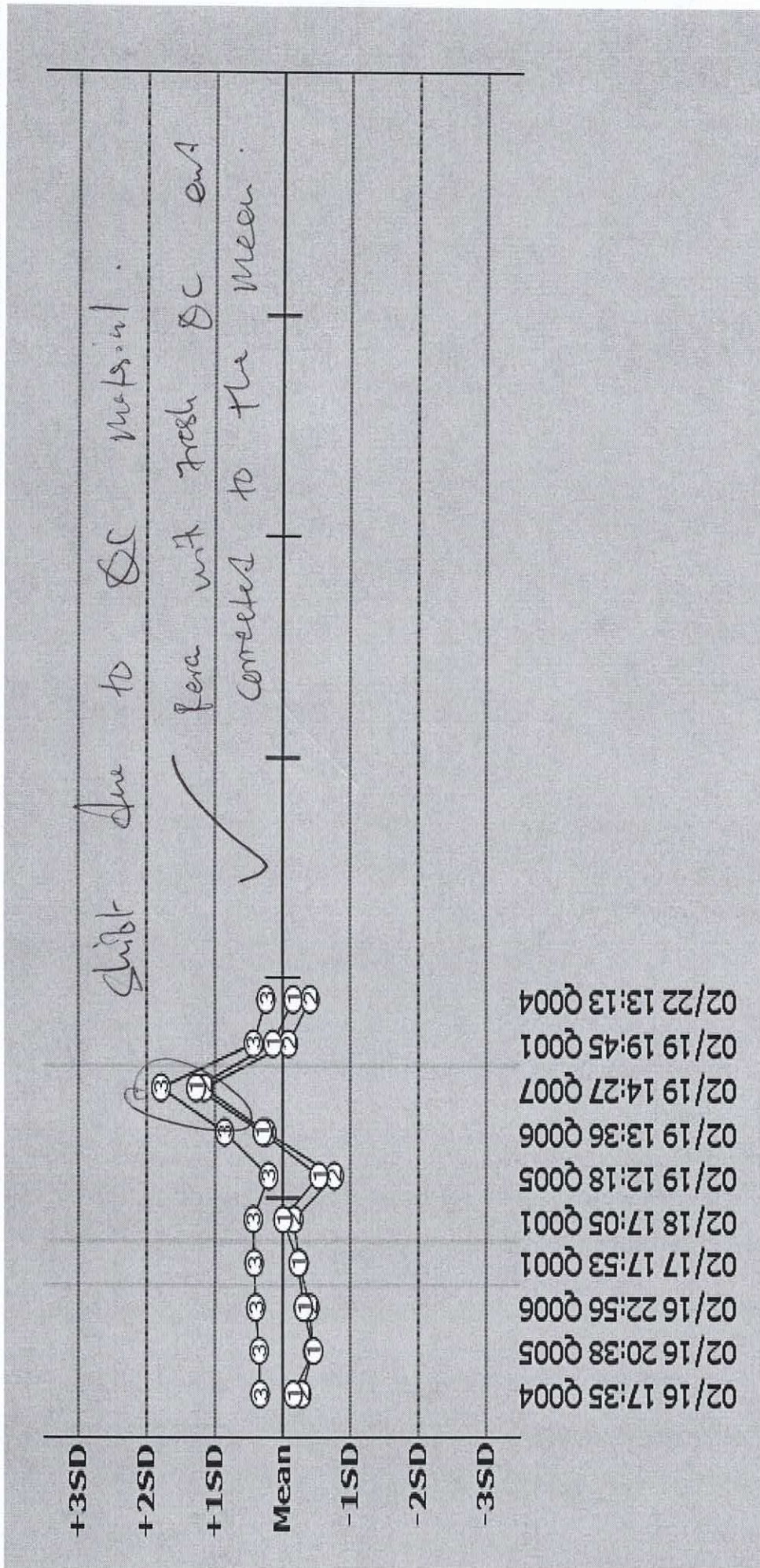
QC Monitor - Daily Chart

Print Time [02/25/2021 14:48]

Index 02/15/2021 16:23 - 02/22/2021 21:38

Type Serum

21.CRP  
Graph



28/02/21 168

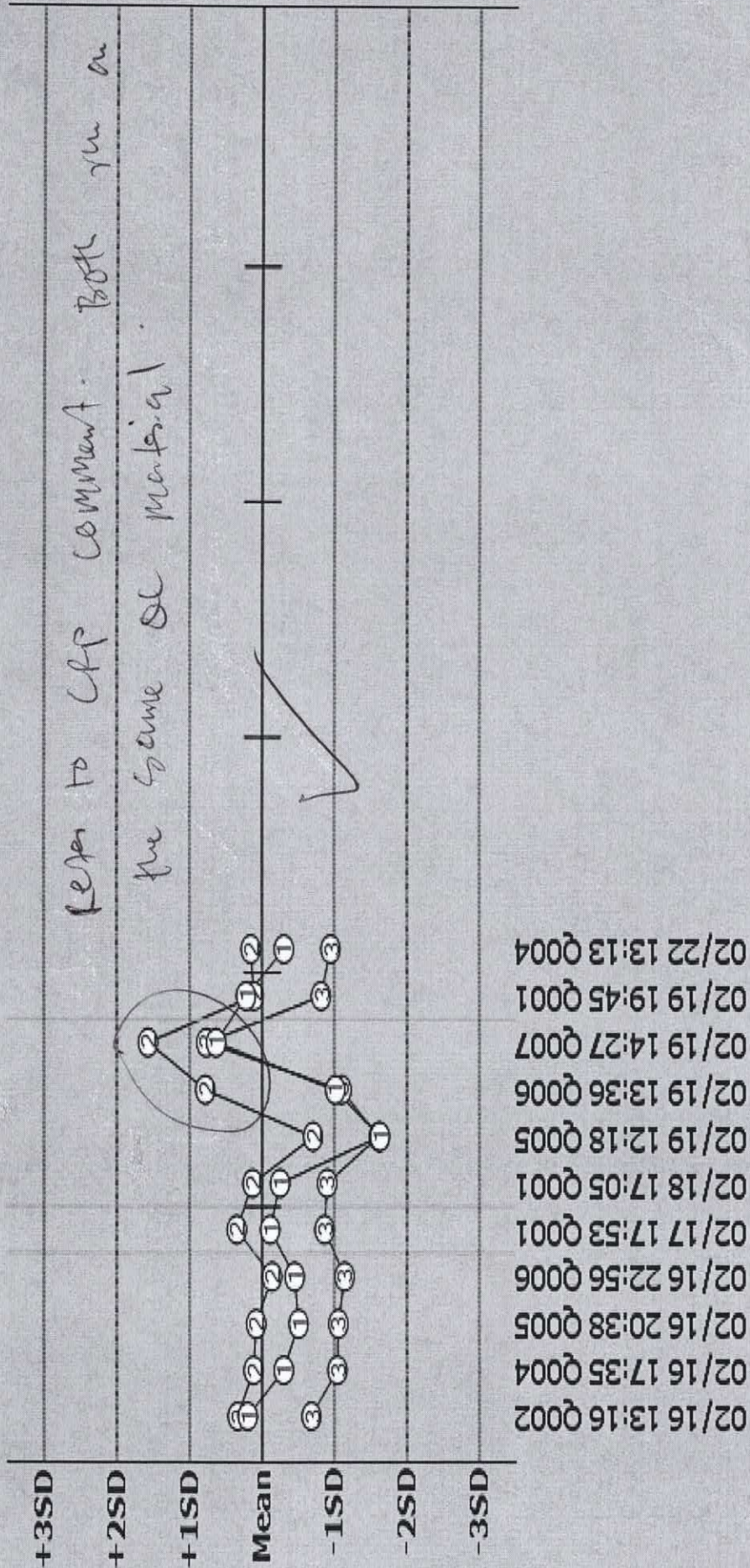
QC Monitor - Daily Chart

Print Time [02/25/2021 14:48]

Index 02/15/2021 16:23 - 02/22/2021 21:38

Type Serum

20.TRF  
Graph



25/02/21 14

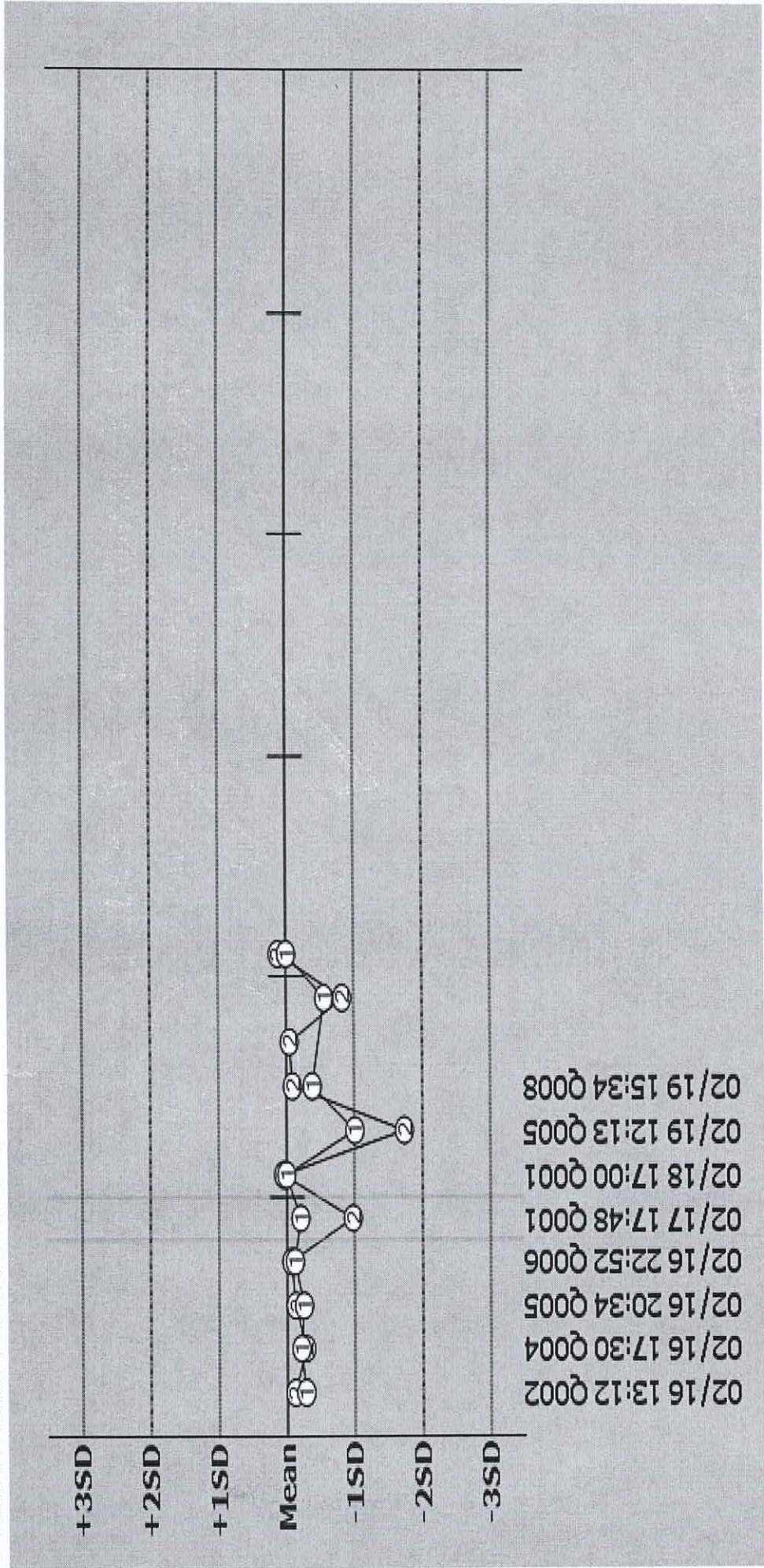
QC Monitor - Daily Chart

Print Time [02/25/2021 14:48]

Index 02/15/2021 16:23 - 02/22/2021 21:38

Type Serum

19.CK  
Graph



Shift -> 1SD on the 19<sup>th</sup>. PC? Calibration was done. QC was vera and corrected to the mean.

25/02/21 WJ

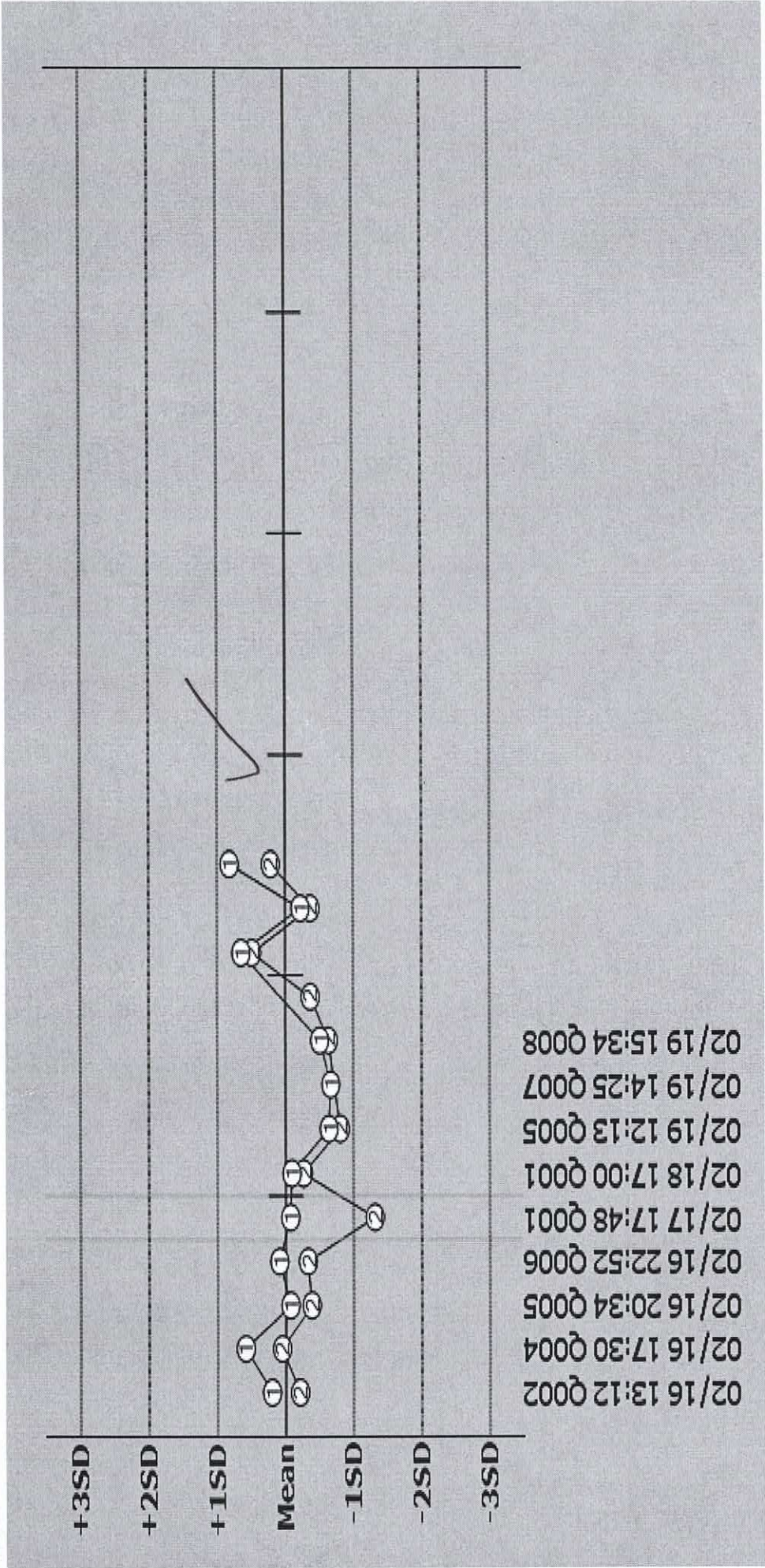
QC Monitor - Daily Chart

Print Time [02/25/2021 14:48]

Index 02/15/2021 16:23 - 02/22/2021 21:38

Type Serum

18.AL  
Graph



25/02/21  
dr

Device No. 2121907

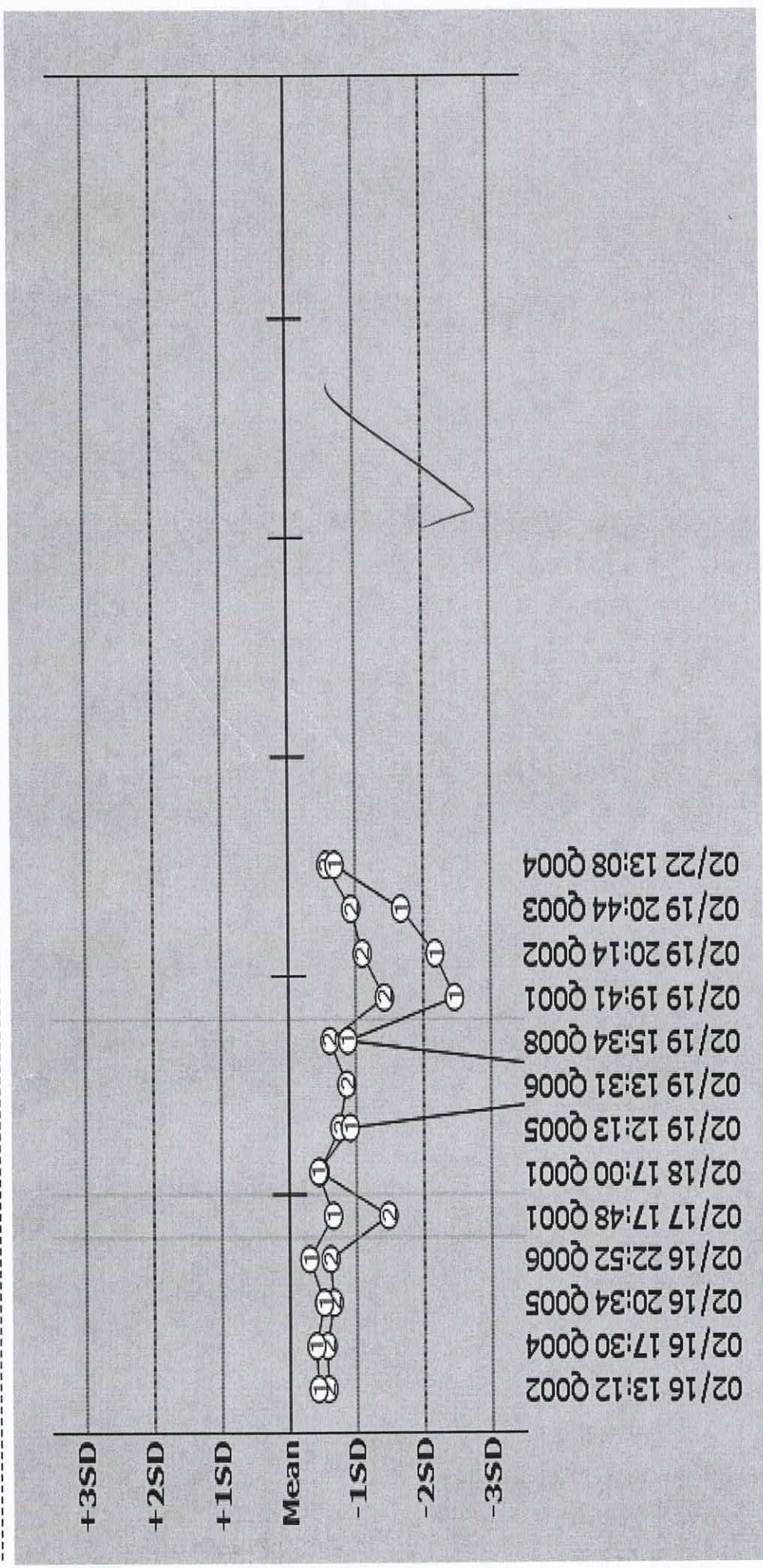
QC Monitor - Daily Chart

Print Time [02/25/2021 14:48]

Index 02/15/2021 16:23 - 02/22/2021 21:38

Type Serum

17.GGT  
Graph



Shift -> 2nd on the 19<sup>th</sup>. NO calibration was done but, QC was seen with fresh QC material as it connected - 25/02/21

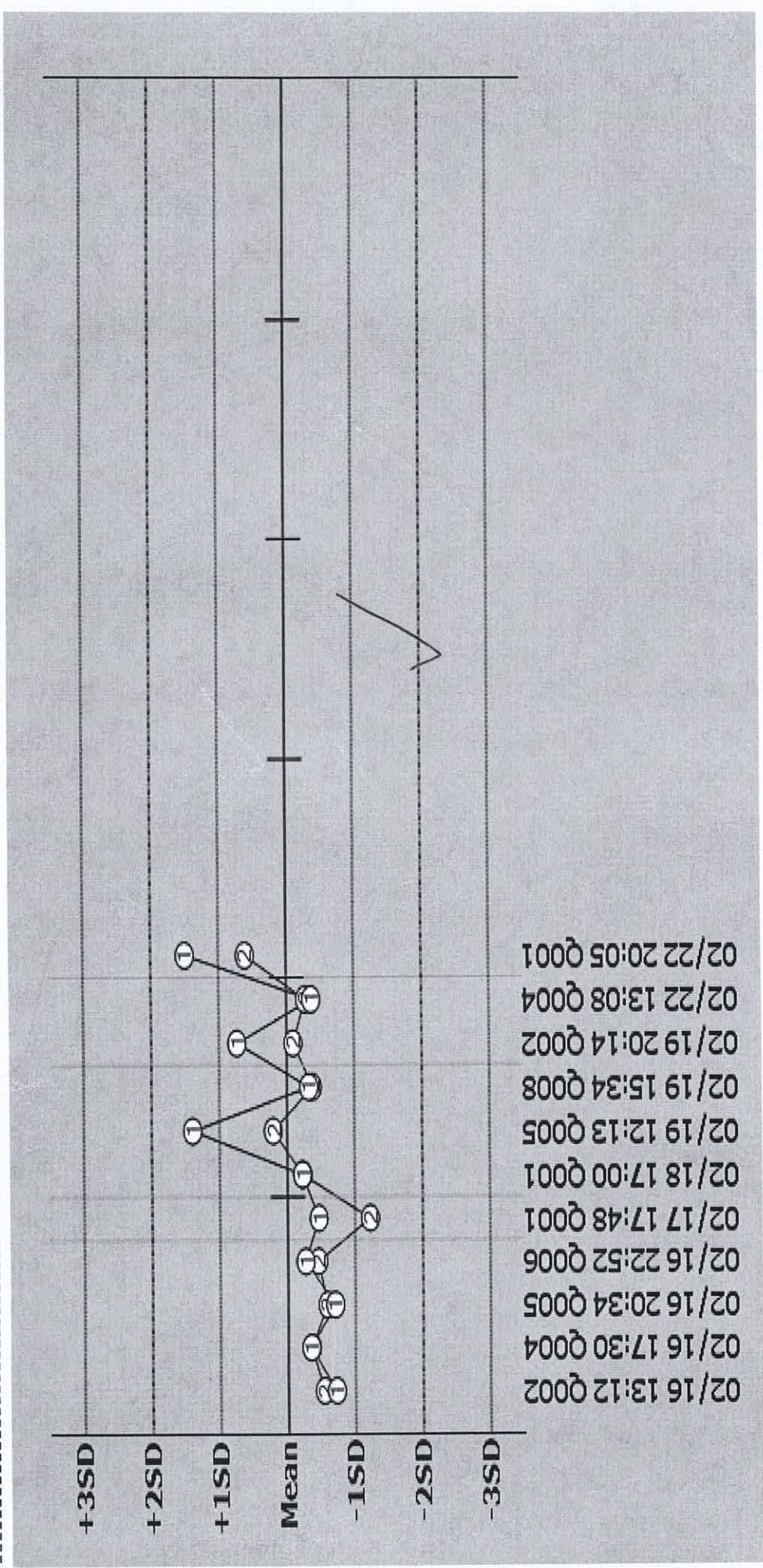
QC Monitor - Daily Chart

Print Time [02/25/2021 14:48]

Index 02/15/2021 16:23 - 02/22/2021 21:38

Type Serum

16.ALT Graph



Shift → 1SD on the 19 of 22 due to calibration done as part of troubleshooting  
 02/25/2021 14:48

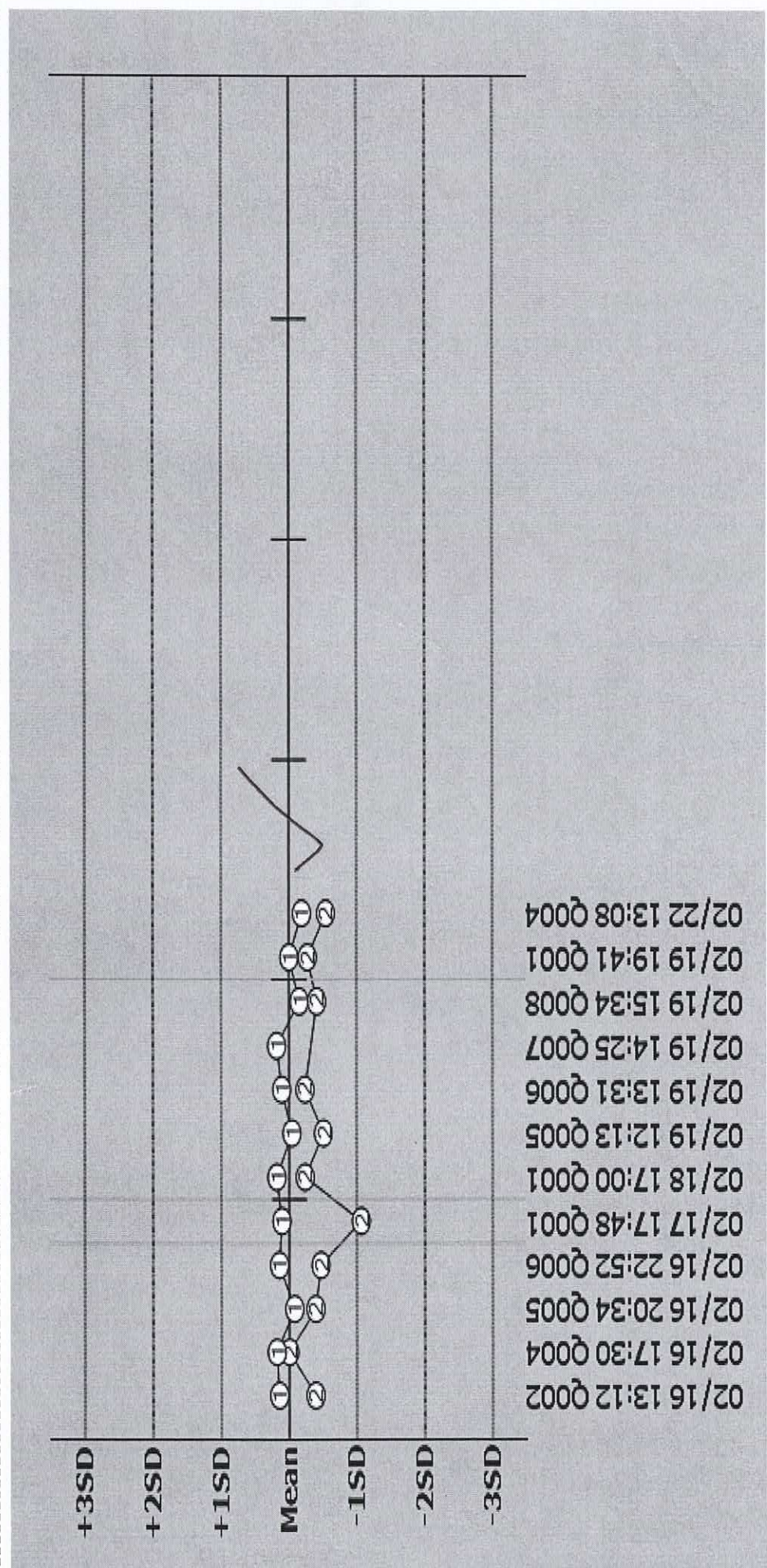
QC Monitor - Daily Chart

Print Time [02/25/2021 14:48]

Index 02/15/2021 16:23 - 02/22/2021 21:38

Type Serum

13.ALB  
Graph



25/02/21 MF

Device No. 2121907

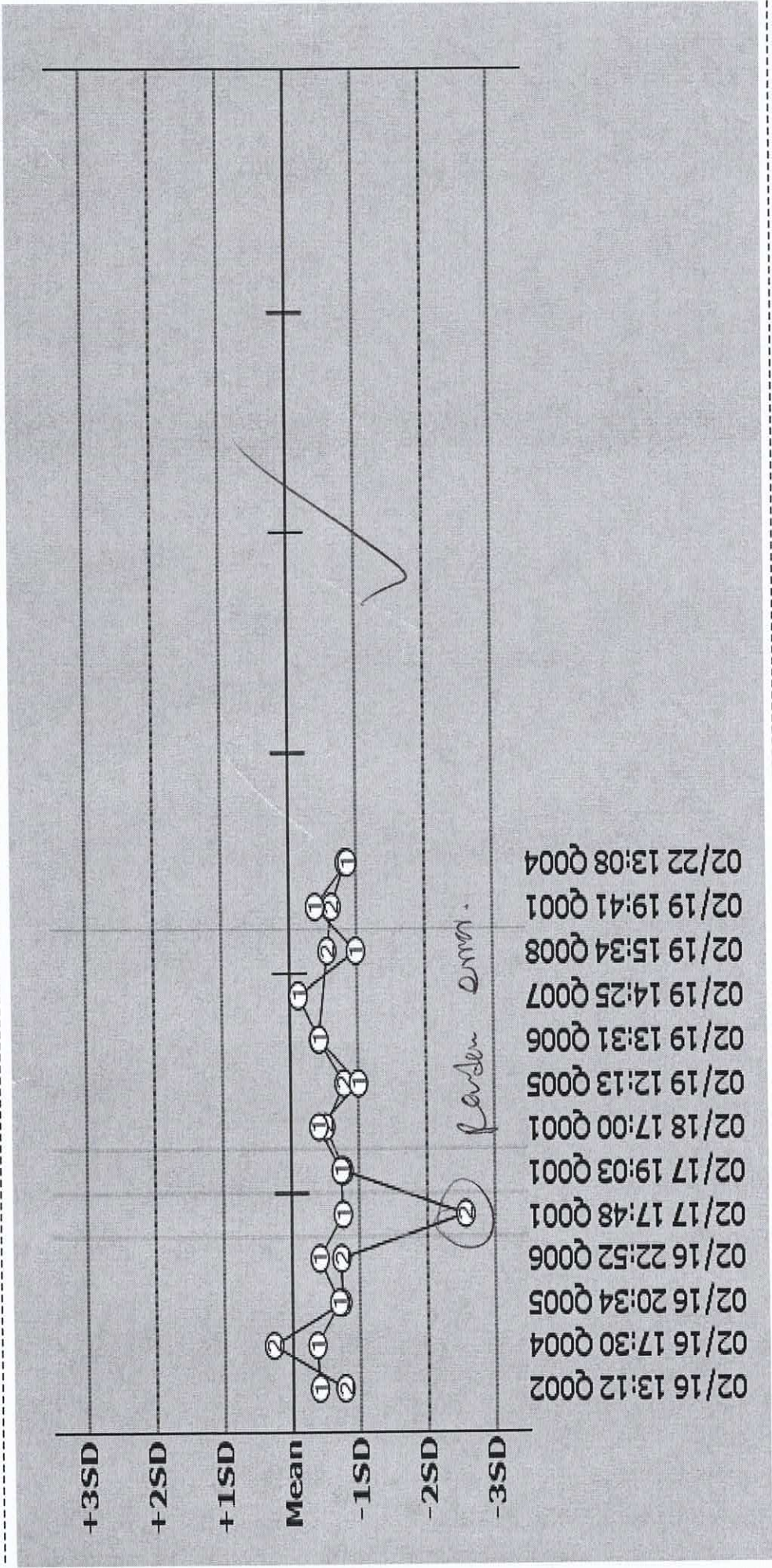
Print Time [02/25/2021 14:48]

QC Monitor - Daily Chart

Index 02/15/2021 16:23 - 02/22/2021 21:38

Type Serum

12.CA  
Graph



25/02/21 Wf

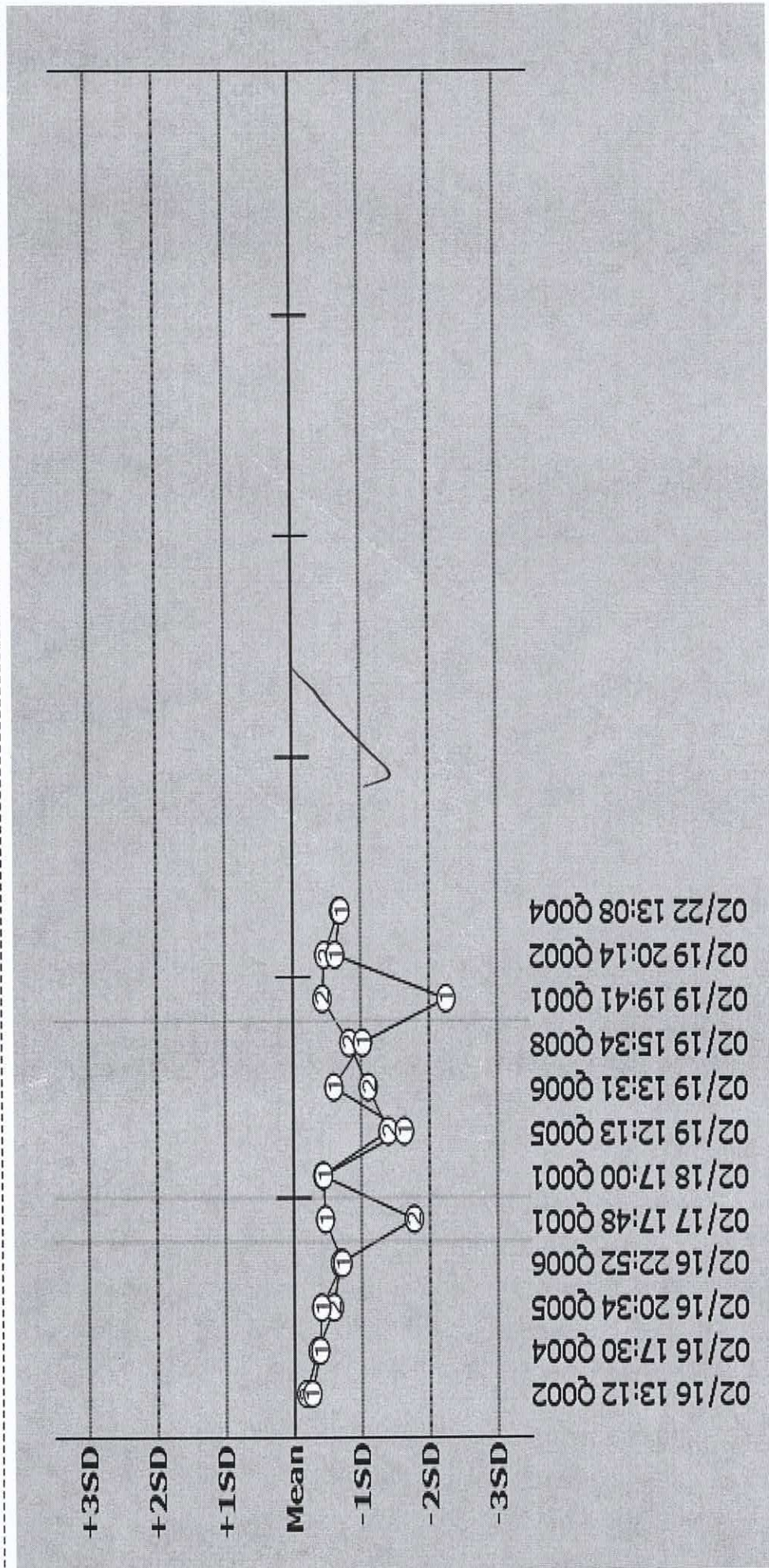
QC Monitor - Daily Chart

Print Time [02/25/2021 14:48]

Index 02/15/2021 16:23 - 02/22/2021 21:38

Type Serum

8.P04  
Graph



19/02/21 phos level 1 shifted > 2SD. Calibrated and lots levels were acceptable.

25/02/21 W

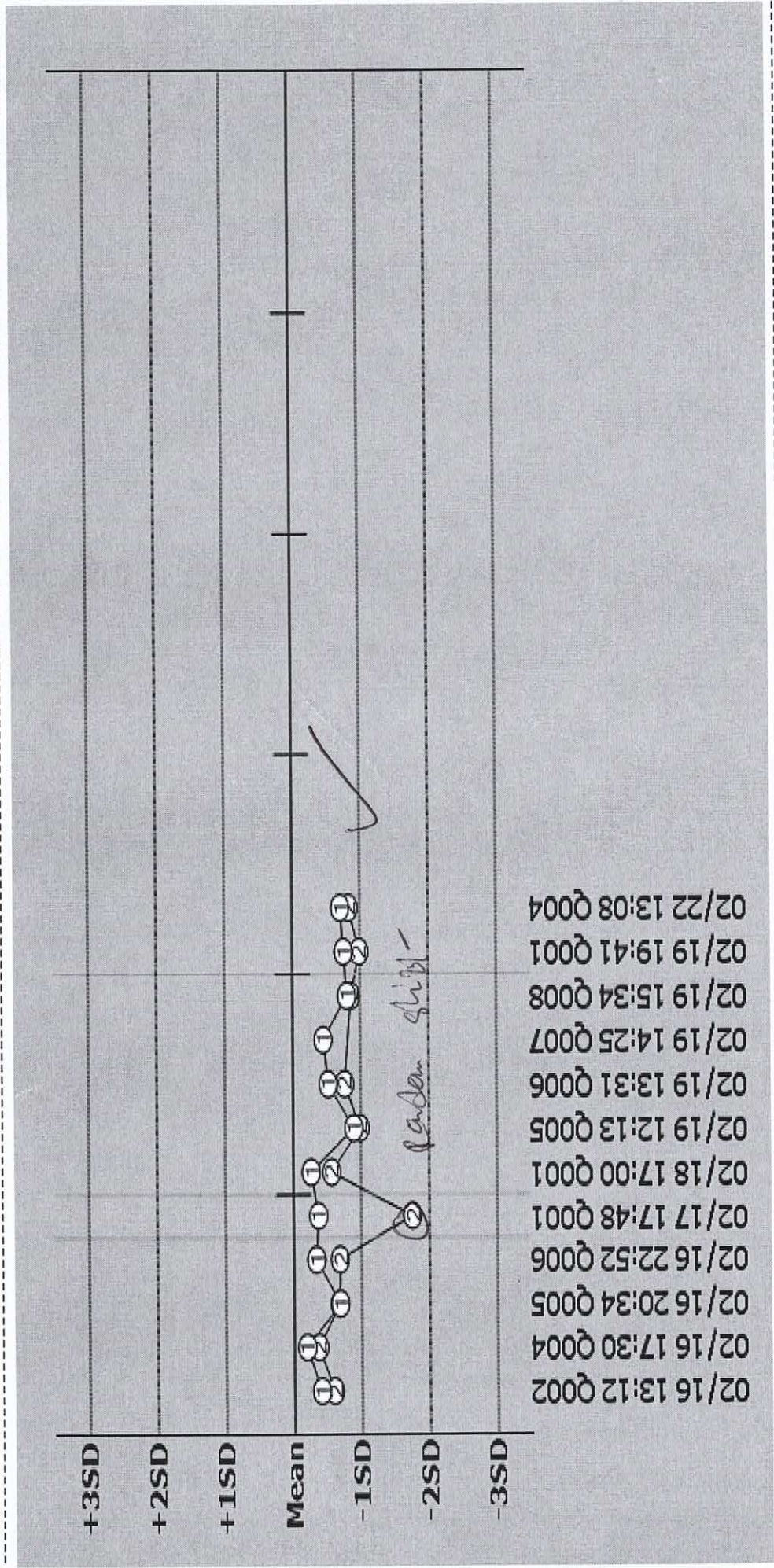
QC Monitor - Daily Chart

Print Time [02/25/2021 14:48]

Index 02/15/2021 16:23 - 02/22/2021 21:38

Type Serum

6.MG  
Graph



25/02/21  
45

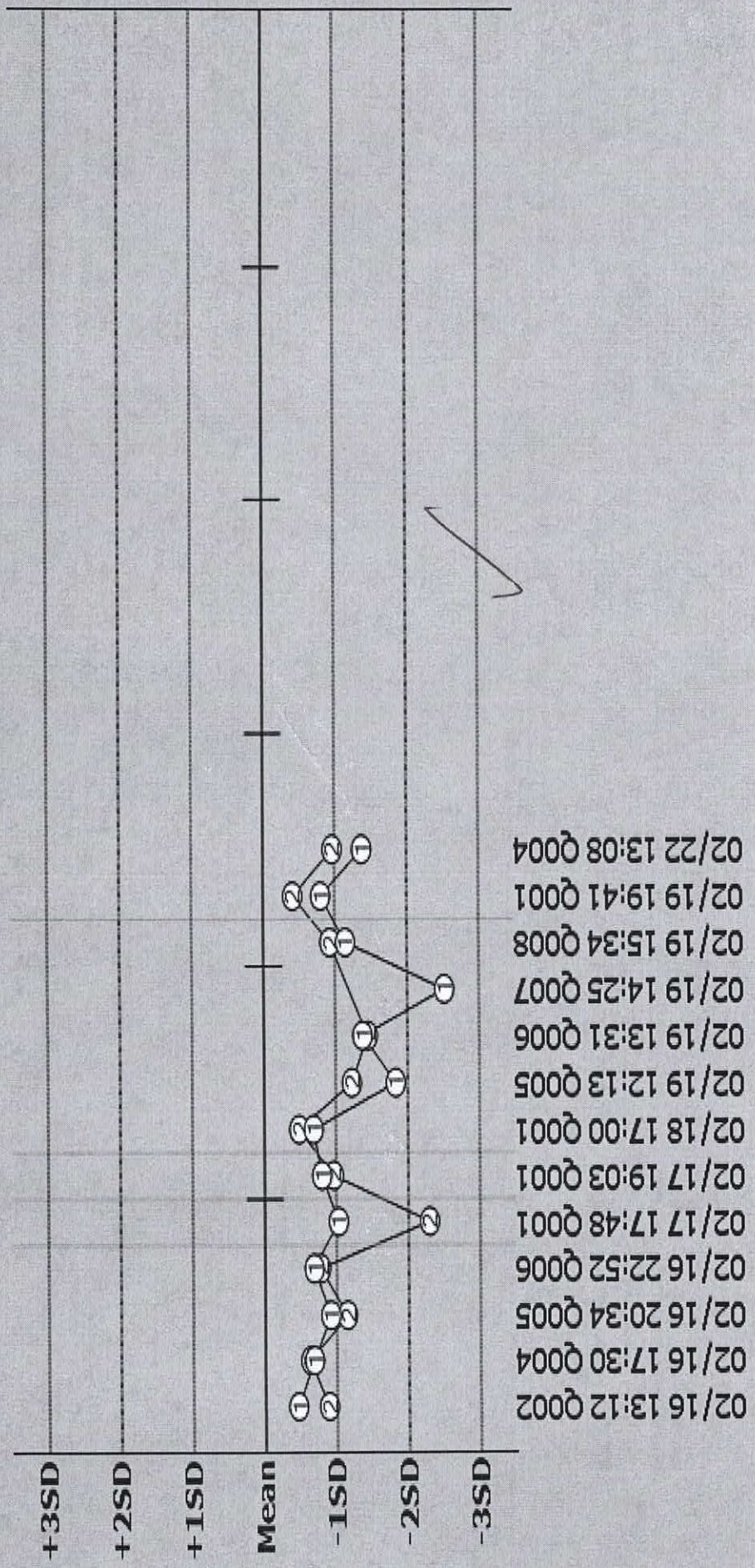
QC Monitor - Daily Chart

Print Time [02/25/2021 14:48]

Index 02/15/2021 16:23 - 02/22/2021 21:38

Type Serum

4.FE  
Graph



fe level 2 outside 2SD on the 17<sup>th</sup> both were H/Lan with fresh De  
 fe level 1 outside 2SD on the 19<sup>th</sup> and corrected 25/02/21 W

Device No. 2121907

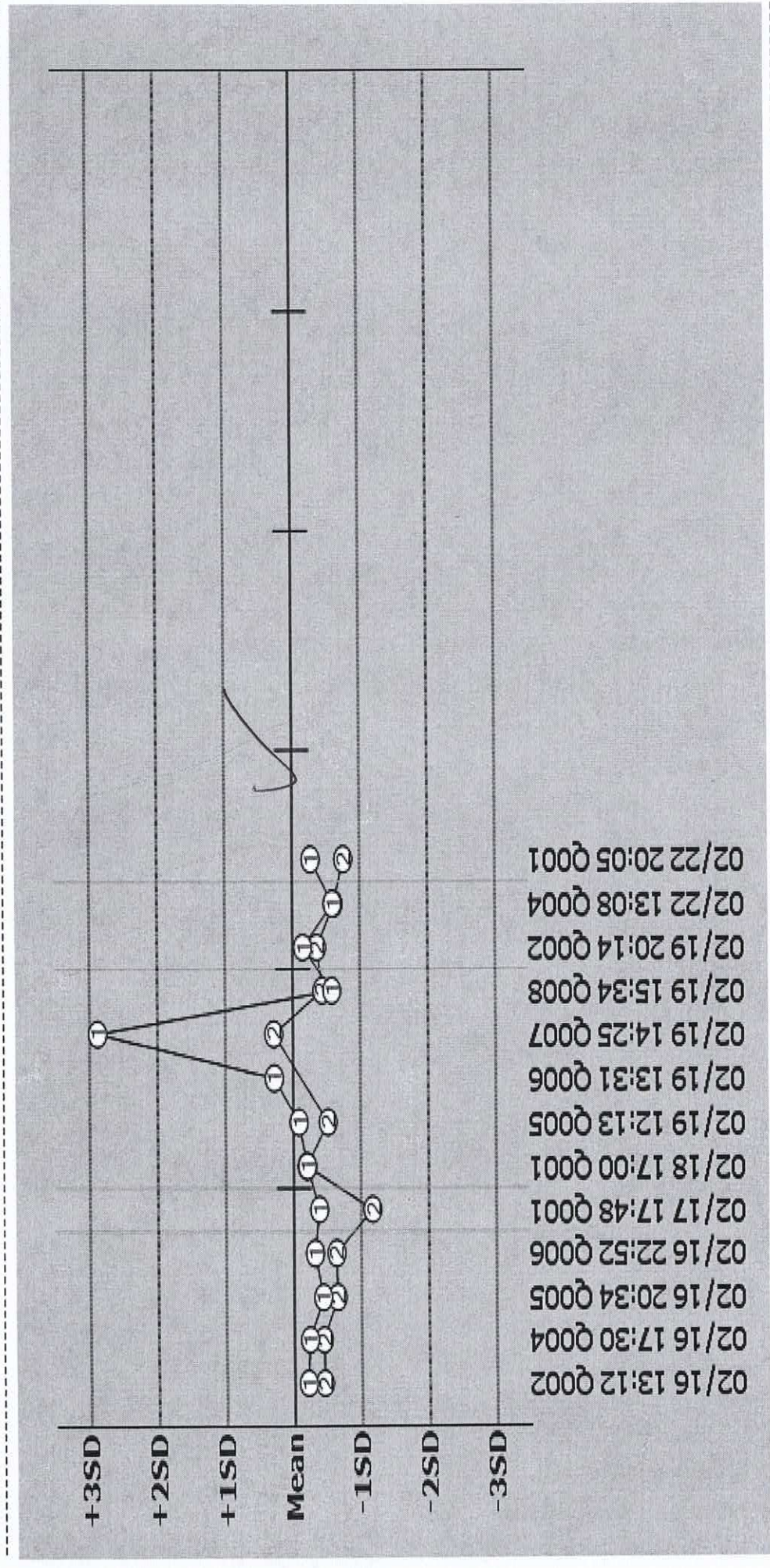
QC Monitor - Daily Chart

Print Time [02/25/2021 14:48]

Index 02/15/2021 16:23 - 02/22/2021 21:38

Type Serum

3.BUN Graph



19/02/21 was level 1 shifted outside 2SD. Calibration was done as part of troubleshooting and both levels corrected within 1SD. 28/02/21

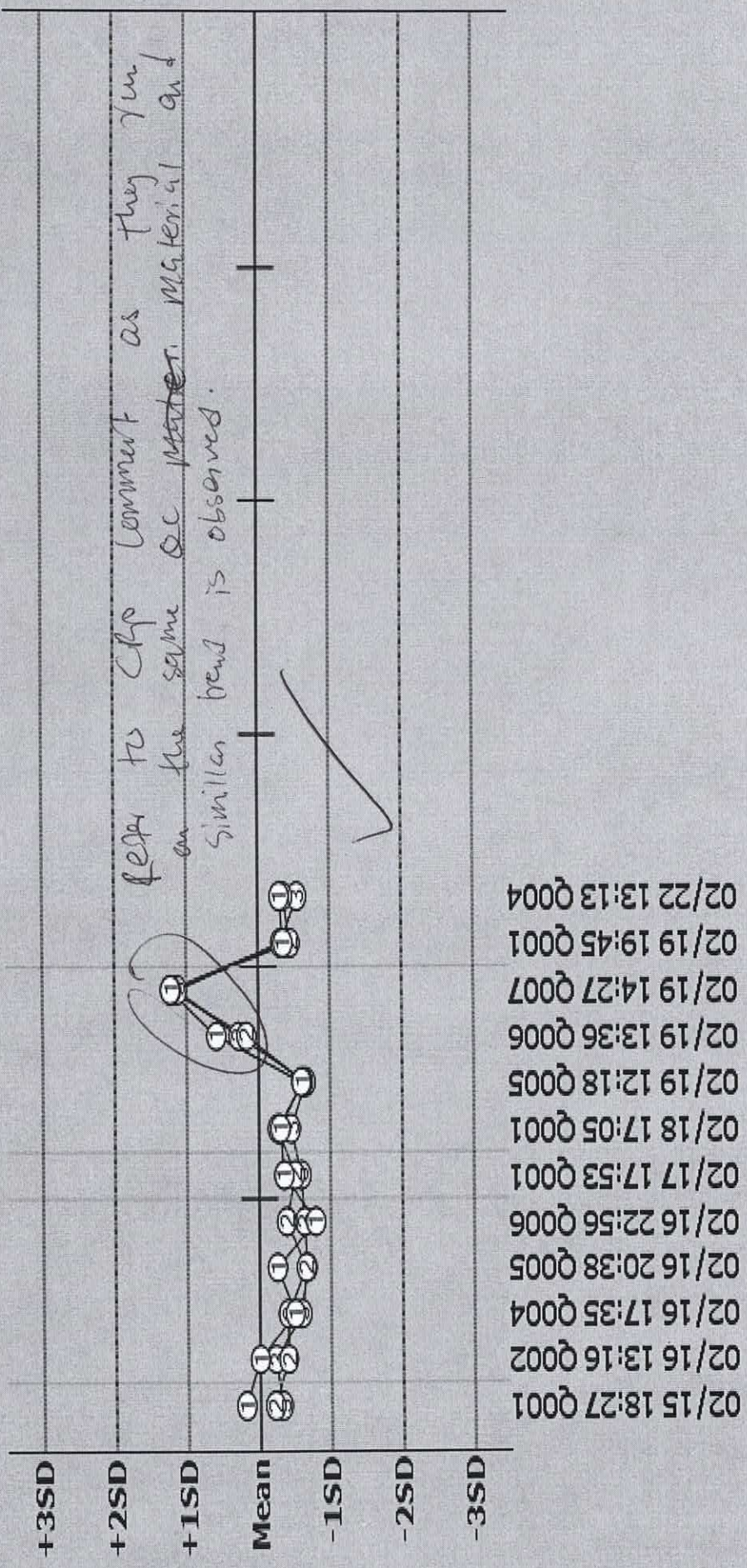
QC Monitor - Daily Chart

Print Time [02/25/2021 14:48]

Index 02/15/2021 16:23 - 02/22/2021 21:38

Type Serum

2.RF  
Graph



25/02/21 14

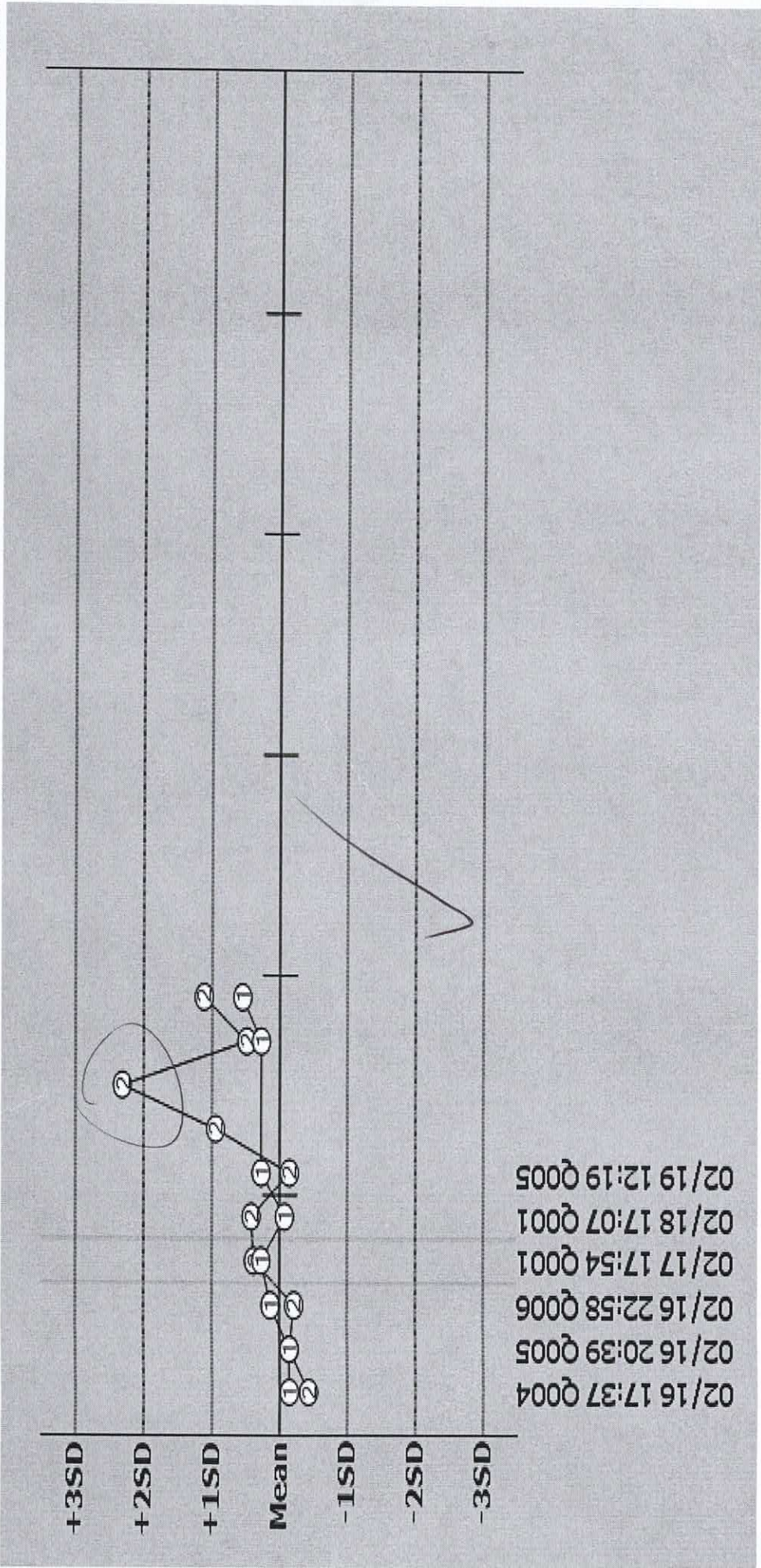
QC Monitor - Daily Chart

Print Time [02/25/2021 14:48]

Index 02/15/2021 16:23 - 02/22/2021 21:38

Type Serum

105.LDL Graph



19/02/21 LDL level 2 outside. Flc was reia with fresh QC and it's commented. 25/02/21 Mr